

CUTTING YOUR CLOSET SHELVES IS AS EASY AS 1-2-3

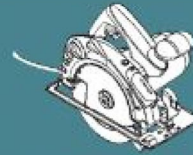
WHAT YOU WILL NEED:



Tape Measure



Pencil



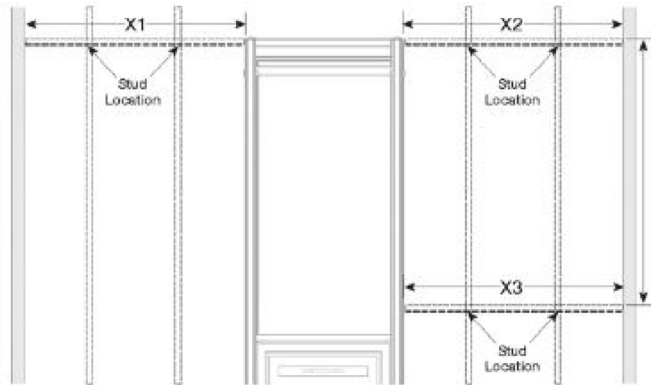
Circular Saw



Eye Protection

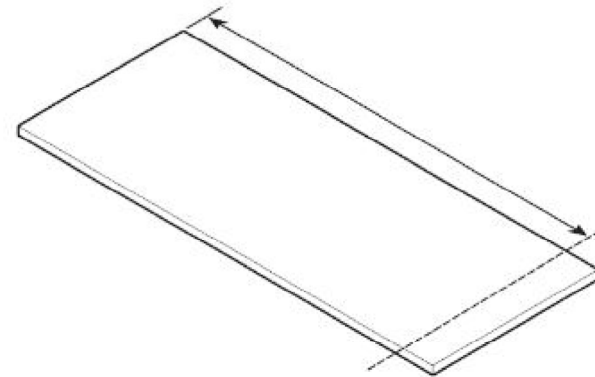
1. MEASURE

Measure your closet from center tower to outer wall



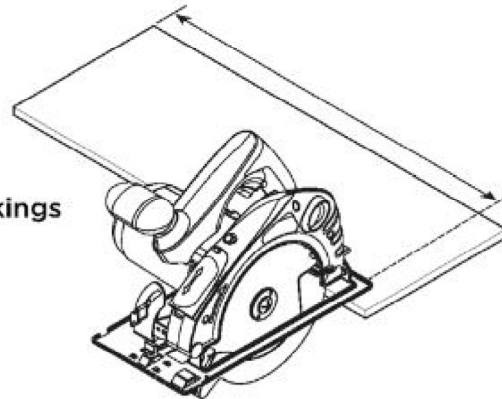
2. MARK

Mark each shelf with the measurements from step 1



3. CUT

Cut carefully along markings



CLOSETS
By LIBERTY

FOR FULL DETAILS, PLEASE SEE COMPLETE
INSTRUCTIONS INCLUDED WITH ITEM