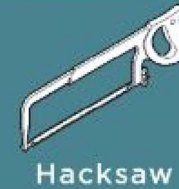


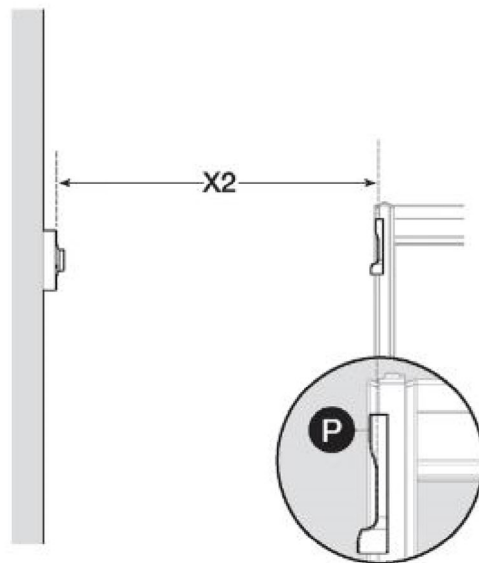
CUTTING YOUR CLOSET RODS IS AS EASY AS 1-2-3

WHAT YOU WILL NEED:



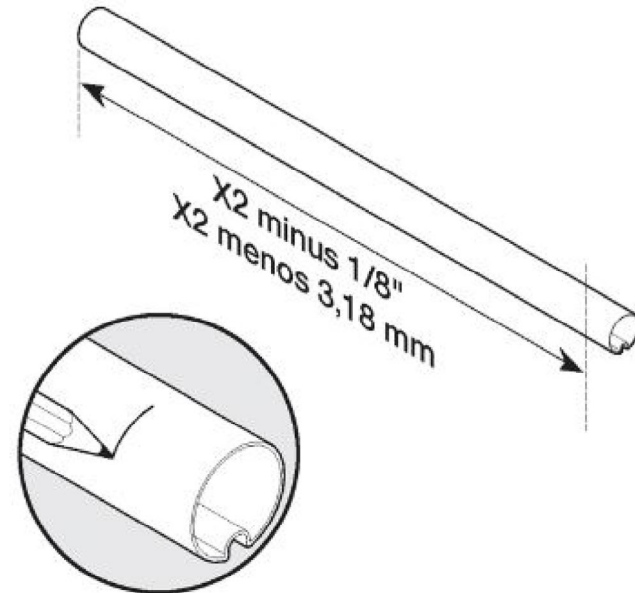
1. MEASURE

Measure the distance from the side surface of the cleat on the center tower to the inner edge of the rod bracket on the wall



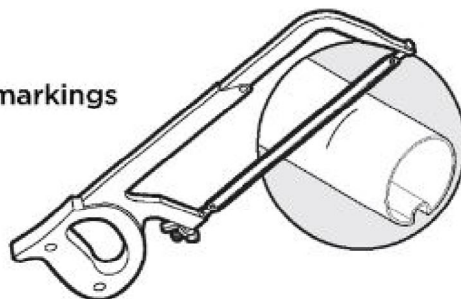
2. MARK

Mark measurement from step 1 minus 1/8" (for socket width) on the closet rod



3. CUT

Use a hacksaw to cut along markings



CLOSETS
By  LIBERTY

FOR FULL DETAILS, PLEASE SEE COMPLETE INSTRUCTIONS INCLUDED WITH ITEM