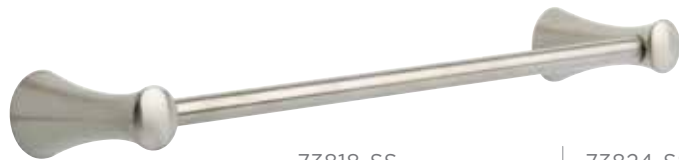


## LAHARA™ COLLECTION

### TOWEL BAR

18" Chrome	73818
18" Brilliance Steel	73818-SS
18" Champagne Bronze	73818-CZ
18" Venetian Bronze	73818-RB
24" Chrome	73824
24" Brilliance Steel	73824-SS
24" Champagne Bronze	73824-CZ
24" Venetian Bronze	73824-RB



73818-SS  
Lahara™ 18" Towel Bar

73824-SS  
Lahara™ 24" Towel Bar

### TOILET PAPER HOLDER

Chrome	73850
Champagne Bronze	73850-CZ
Venetian Bronze	73850-RB
Brilliance Steel	73850-SS



73846-SS  
Lahara™ Towel Ring



73835-SS  
Lahara™ Hook

### TOWEL RING

Chrome	73846
Champagne Bronze	73846-CZ
Venetian Bronze	73846-RB
Brilliance Steel	73846-SS



73850-SS  
Lahara™ Toilet Paper Holder

### ROBE HOOK

Chrome	73835
Champagne Bronze	73835-CZ
Venetian Bronze	73835-RB
Brilliance Steel	73835-SS

#### Available Finishes



Chrome



Venetian  
Bronze



Champagne  
Bronze



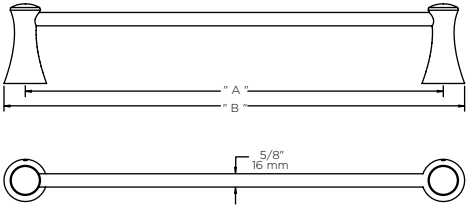
Brilliance  
Steel

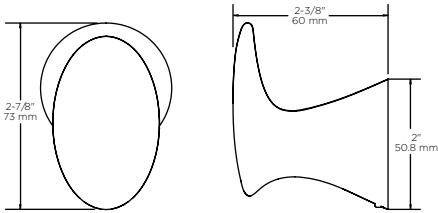


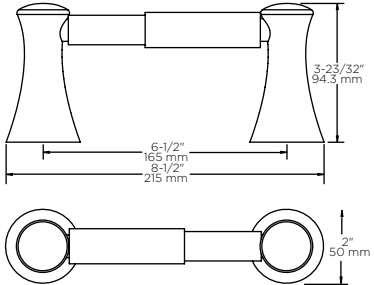
Placing an order? Send Orders to [LHorders@libertyhardware.com](mailto:LHorders@libertyhardware.com) or Fax to 1-877-763-6597

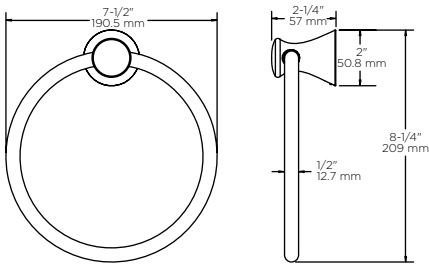
Questions about your existing order, or how to place an order?  
Please email [support@libertyhardware.com](mailto:support@libertyhardware.com) or call 1-800-542-3789

For additional products available from Liberty Hardware and to access literature such as the full catalog, sell sheets, and spec guides; please visit us at [www.LibertyHardware.com/For-Professionals](http://www.LibertyHardware.com/For-Professionals)

<h2>18" &amp; 24" TOWEL BARS</h2>	<b>MATERIALS:</b> Base Plate, Post - Zinc Die Cast Bars - Brass Tubes Wall Plate - Steel, Zinc Plated
	<b>INSTALLATION:</b> Mount wall plate bracket(s) per installation instructions with supplied fasteners. Slip product over wall plate(s) and tighten set screws until secure.
	<b>OPTIONAL FASTENER INFORMATION:</b> Wood blocking is preferable behind all wall surfaces. If wood blocking is not available, the following fasteners are suggested: Tile/Masonry - Plastic or Lead Anchors, Plaster/Drywall - Toggle Bolts.
	<b>PRODUCT DIMENSIONS:</b> Reference drawing at left: 18" Bar: Dim "A" 18" [436mm]; Dim "B" 20" [584mm] 24" Bar: Dim "A" 24" [584mm]; Dim "B" 26" [737mm]

<h2>SINGLE ROBE HOOK</h2>	<b>MATERIALS:</b> Base Plate, Post - Zinc Die Cast Wall Plate - Steel, Zinc Plated
	<b>INSTALLATION:</b> Mount wall plate bracket(s) per installation instructions with supplied fasteners. Slip product over wall plate(s) and tighten set screws until secure.
	<b>OPTIONAL FASTENER INFORMATION:</b> Wood blocking is preferable behind all wall surfaces. If wood blocking is not available, the following fasteners are suggested: Tile/Masonry - Plastic or Lead Anchors, Plaster/Drywall - Toggle Bolts.
	<b>PRODUCT DIMENSIONS:</b> See drawing at left for details.

<h2>TOILET PAPER HOLDER</h2>	<b>MATERIALS:</b> Base Plate, Post - Zinc Die Cast Roller - Brass Wall Plate - Steel, Zinc Plated
	<b>INSTALLATION:</b> Mount wall plate bracket(s) per installation instructions with supplied fasteners. Slip product over wall plate(s) and tighten set screws until secure.
	<b>OPTIONAL FASTENER INFORMATION:</b> Wood blocking is preferable behind all wall surfaces. If wood blocking is not available, the following fasteners are suggested: Tile/Masonry - Plastic or Lead Anchors, Plaster/Drywall - Toggle Bolts.
	<b>PRODUCT DIMENSIONS:</b> See drawing at left for details.

<h2>TOWEL RING</h2>	<b>MATERIALS:</b> Base Plate, Post - Zinc Die Cast Ring - Brass Tube Wall Plate - Steel, Zinc Plated
	<b>INSTALLATION:</b> Mount wall plate bracket(s) per installation instructions with supplied fasteners. Slip product over wall plate(s) and tighten set screws until secure.
	<b>OPTIONAL FASTENER INFORMATION:</b> Wood blocking is preferable behind all wall surfaces. If wood blocking is not available, the following fasteners are suggested: Tile/Masonry - Plastic or Lead Anchors, Plaster/Drywall - Toggle Bolts.
	<b>PRODUCT DIMENSIONS:</b> See drawing at left for details.