

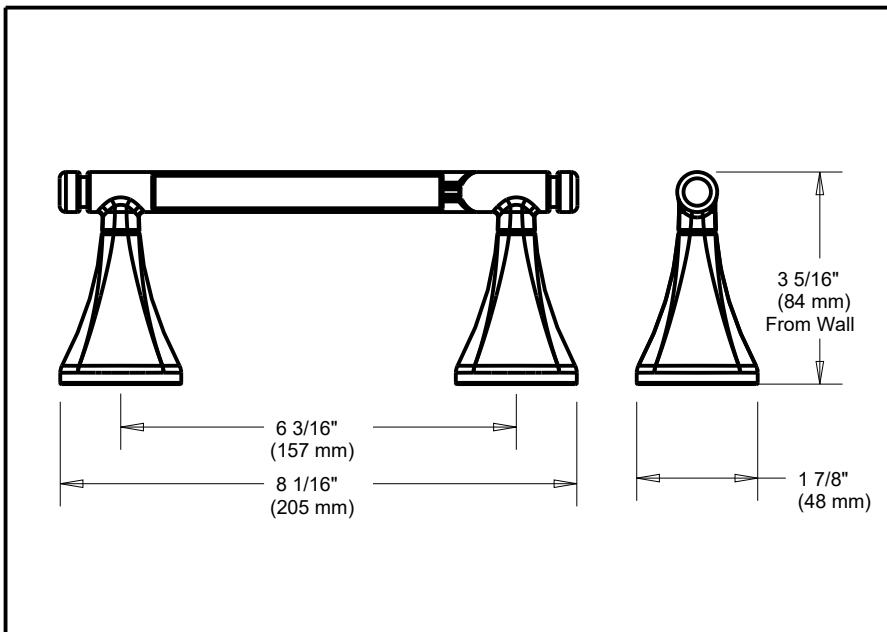
# DELTA<sup>®</sup>

## ACCESSORIES

- Dash Bath Collection
- Toilet Paper Holder

Submitted Model No.: \_\_\_\_\_

Specific Features: \_\_\_\_\_



### STANDARD SPECIFICATIONS:

- Mounting hardware and mounting template included with product.

Delta reserves the right (1) to make changes in specifications and materials, and (2) to change or discontinue models, both without notice or obligation. Dimensions are for reference only. See current full-line price book or [www.deltafaucet.com](http://www.deltafaucet.com) for finish options and product availability.

TDS 50408 - Rev. A



Liberty Hardware Manufacturing Corporation  
140 Business Park Drive, Winston-Salem, NC 27107  
1.800.964.4850 • [www.libertyhardware.com](http://www.libertyhardware.com)  
© 2025 LHMC, A Masco Company