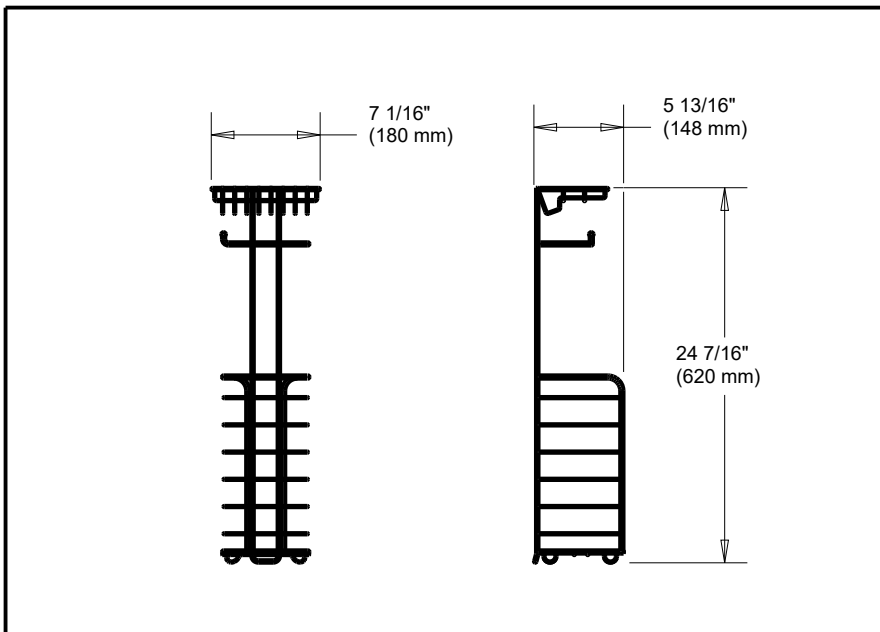


ACCESSORIES

- Bath Hardware
- Free Standing Toilet Paper Holder

Submitted Model No.: _____

Specific Features: _____



STANDARD SPECIFICATIONS: