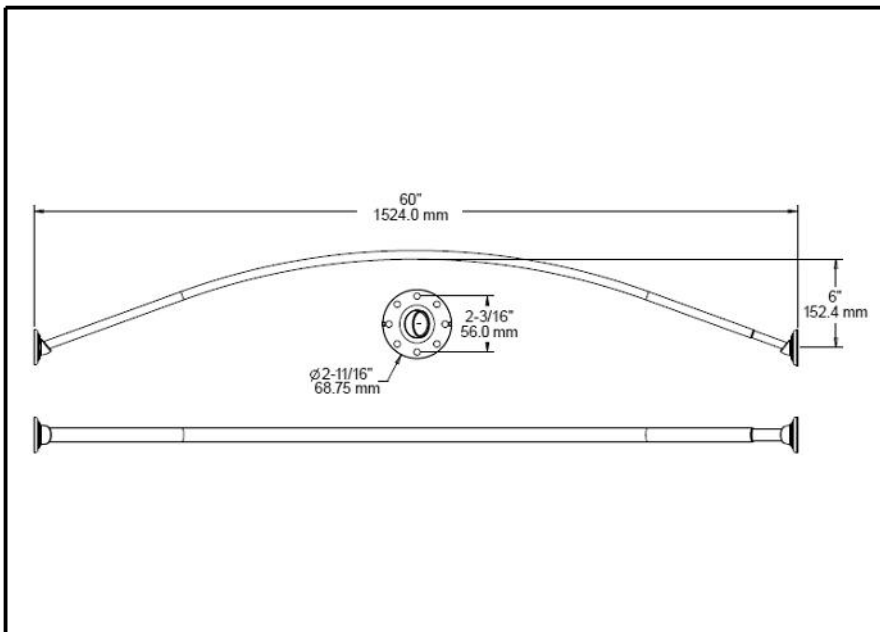


## ACCESSORIES

- Oval Curved Shower Rod
- 5' x 1" Oval Curved Shower Rod

Submitted Model No.: \_\_\_\_\_

Specific Features: \_\_\_\_\_



### STANDARD SPECIFICATIONS:

- Mount wall brackets using supplied fasteners, recommended location is 3" back from edge of tub or shower unit. Note the markings on brackets for stationary and adjustable attachment. Depress pins on stationary end of rod and clip into bracket. Repeat step for adjustable rod end. Slide flanges over brackets. Wood blocking is preferable behind all wall surfaces. If wood blocking is not available, use anchors or plugs provided with screws.

### WARRANTY

- If you have any questions or concerns regarding technical support, installation or our warranty, please contact us at 1-800-635-2731 or visit our website at [www.libertyhardware.com](http://www.libertyhardware.com).