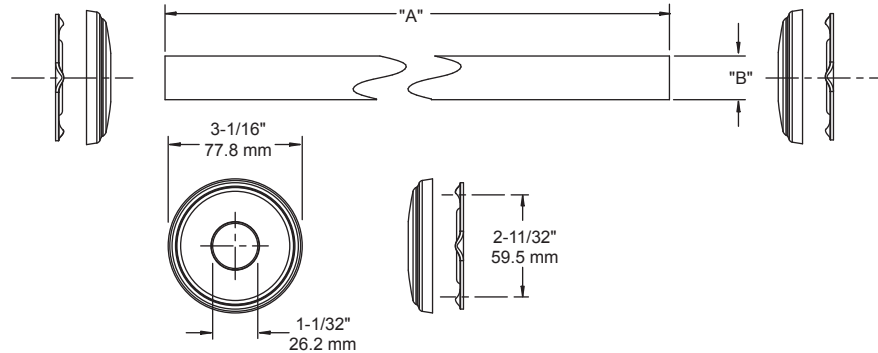
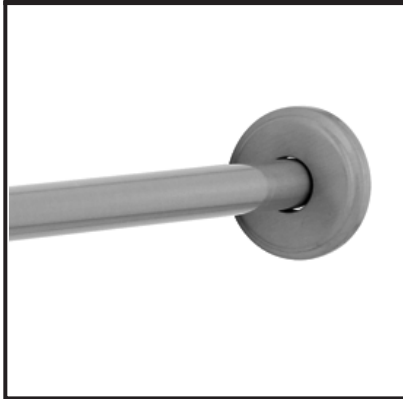


Shower Rods

SHOWER ROD - 185-5BS & 185-6SN



MATERIALS: Shower Rod - 304 Stainless Steel Tube 1" OD., 19 Gauge, Seamless Drawn Tubing
 Flange - 304 Stainless Steel
 Wall Plate - Steel x 14 Gauge, Nickel Plated

MODEL#	DIM "A"	DIM "B"
5' Shower Rod	5'	1" (25 mm) O.D.
6' Shower Rod	6'	1" (25 mm) O.D.

INSTALLATION: Install flanges and rod with 4 - #9 x 2" round head zinc plated steel screws provided.

OPTIONAL FASTENER INFORMATION: Wood blocking is preferable behind all wall surfaces. If wood blocking is not available, the following fasteners are suggested: Tile/Masonry - Plastic or Lead Anchors, Plaster/Drywall - Toggle Bolts.

SPECIFICATION: Surface mounted shower rod shall be model _____
 (fill in model number) by Liberty Hardware Manufacturing Corporation.

