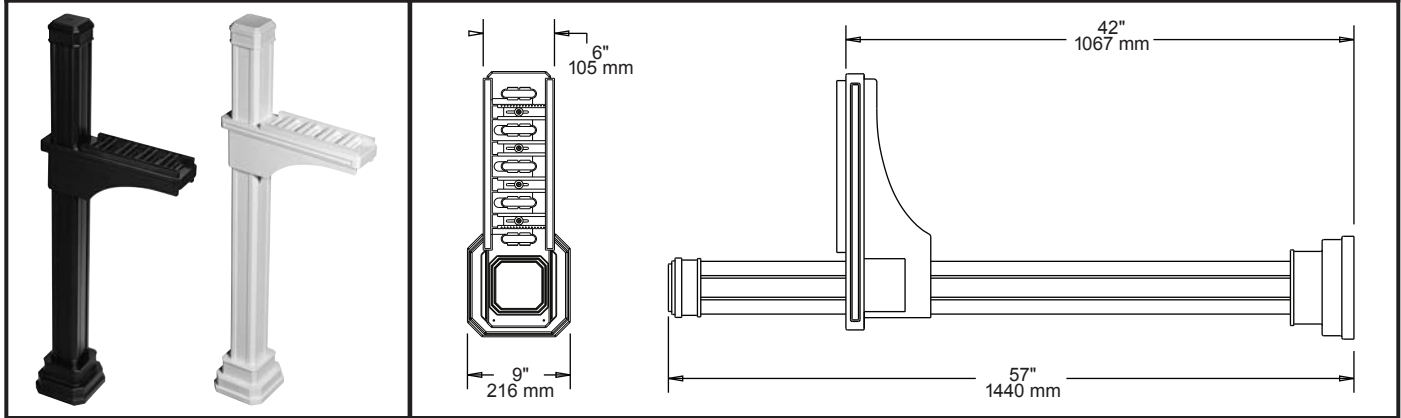


# Mail Box Post Kit Program

## Full-Size Square Post Kit - Black or White



**MATERIALS:** The mailbox post is fabricated from extruded PVC; other components are injection molded from the same material. PVC is free from heavy metals and Phthalates. Fasteners are zinc plated to resist corrosion.

**INSTALLATION:** Unit is assembled using supplied fasteners, and snap lock features molded into the components.

\*Prior to installation, contact local utilities for location of underground hazards to avoid. User assumes all installation risk.

