

TECHNICAL DATA

LIBERTY HARDWARE®

MANUFACTURING CORPORATION

A Masco Company

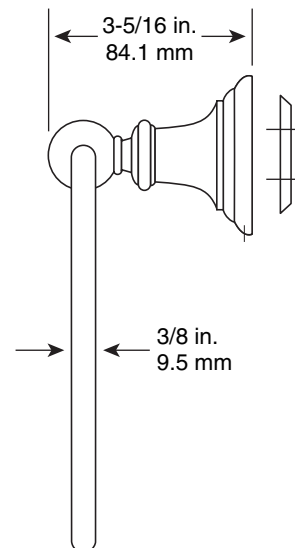
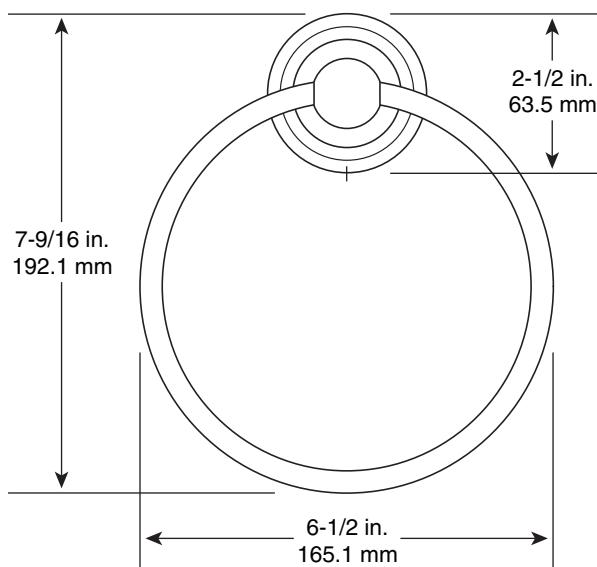
140 Business Park Drive • Winston-Salem, NC 27107

800.542.3789 • T 336.769.4077 • F 336.769.1839

www.libertyhardware.com

TOWNSEND™

Towel Ring



MATERIALS: Base plate, bell, and post - zinc die cast
Ring - aluminum tube
Wall plate - steel; 19 gage; zinc plated

WEIGHT: .86 lb.

INSTALLATION: Mount wall plate with two #8 x 1-1/4 in. round head, zinc plated steel screws and plastic anchors provided. Slip towel ring over wall plate and tighten set screw until secure.

OPTIONAL FASTENER INFORMATION: Wood blocking is preferable behind all wall surfaces. If wood blocking is not available, the following fasteners are suggested: tile/masonry - plastic or lead anchors; plaster/drywall - toggle bolts.

SPECIFICATION: Surface mounted towel ring shall be model _____ (fill in model number) by Liberty Hardware Manufacturing Corporation.

Updated September 2006