

TECHNICAL DATA

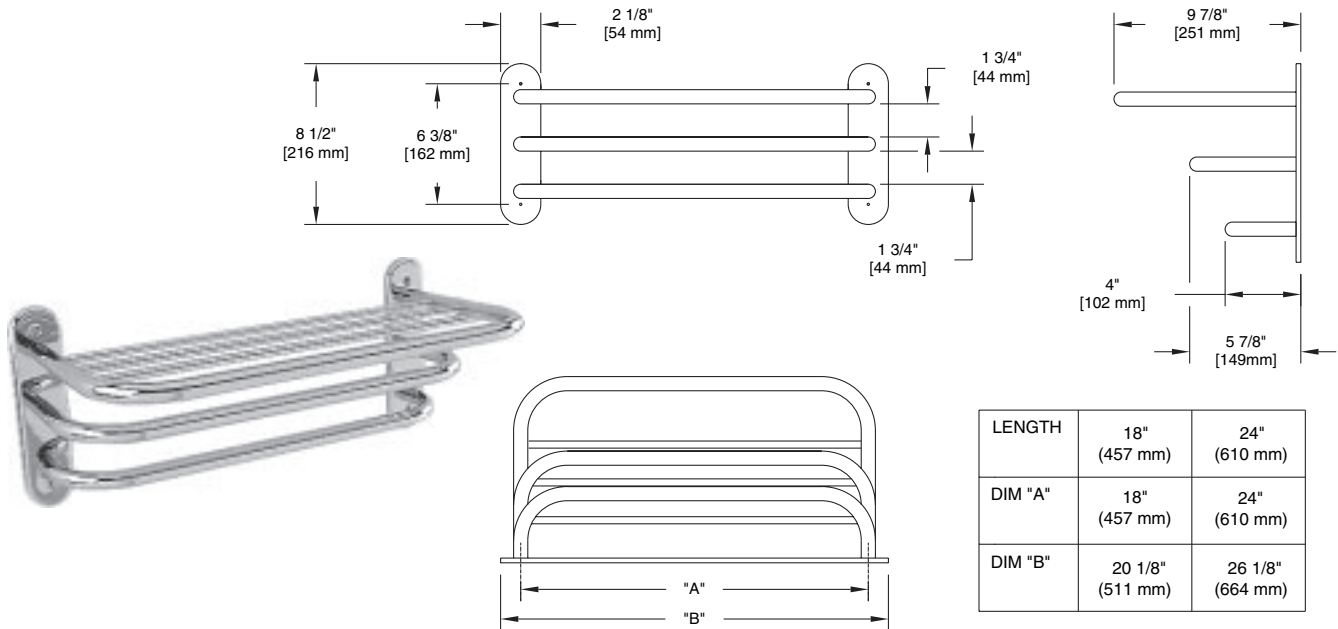
LIBERTY HARDWARE®
MANUFACTURING CORPORATION

A Masco Company

140 Business Park Drive • Winston-Salem, NC 27107
800.542.3789 • T 336.769.4077 • F 336.769.1839
www.libertyhardware.com

TOWEL SHELF WITH 2 BARS

2783 & 2785 Series



MATERIALS:

Wall Flange- 17 gauge stamped brass
Shelf Tubing - .035 (20 gauge) 3/4" O.D. brass tubing
Towel Bar Tubing - .035 (20 gauge) 3/4" O.D. brass tubing
Crossbars - .025 (23 gauge) 3/8" O.D. brass tubing

Shelf and extension bar tubing is attached to wall flange with knurled brass bushings, brass washers and #1/4 - 20 x 1/2" zinc plated steel machine screws.

INSTALLATION:

Install top shelf, middle towel bar and bottom towel bar on wall flanges with 6-1 1/4" machine screws through lock washers and support plates. Mount assembled towel shelf with 2 bars with 4- #9 x 1 1/2" flathead nickel plated steel screws provided or 4- 3/16 x 3" zinc plated steel toggle bolts provided.

Wood blocking is preferable behind all wall surfaces. If wood blocking is not available, the following optional fasteners are suggested:

Tile/Masonry - Plastic or lead anchors
Plaster/Drywall - Toggle bolts

SPECIFICATION:

Surface mounted towel shelf with 2 bars shall be model _____ (fill in model number) by Liberty Hardware Manufacturing Corporation.