

TECHNICAL DATA

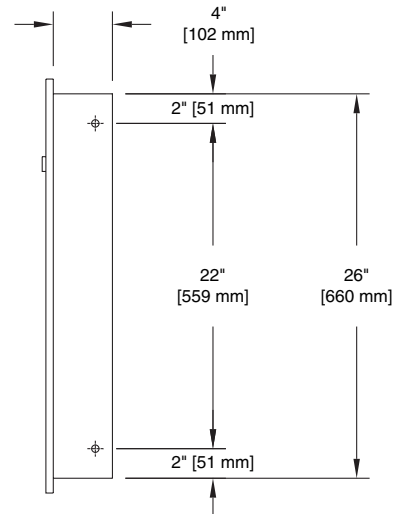
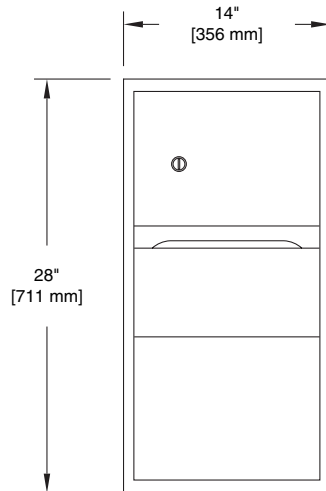
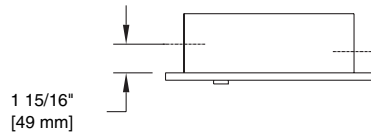
LIBERTY HARDWARE[®]
MANUFACTURING CORPORATION

A Masco Company

140 Business Park Drive • Winston-Salem, NC 27107
800.542.3789 • T 336.769.4077 • F 336.769.1839
www.libertyhardware.com

TOWEL DISPENSER & WASTE RECEPTACLE

1982 Series



MATERIALS:

Unit is fabricated of 22 gauge type 304 stainless steel. Stainless steel frame has 1/4" return. Door is mounted of full length stainless steel piano hinge and includes tumbler lock and key. All welded construction.

CAPACITY:

Towel dispenser - 350 C-fold or 475 multi-fold paper towels
Waste receptacle - 2 gallons

INSTALLATION:

Cut wall opening 12 1/2" x 26 1/2" x 4" depth. Frame-in sides of opening. Install unit using 4- #9 x 1 1/2" panhead zinc plated steel screws provided. Side sets of holes are 22" C-C and are positioned 1 15/16" from outside face of finished wall.

SPECIFICATION:

Towel dispenser and waste receptacle shall be model _____
(fill in model number) by Liberty Hardware Manufacturing Corporation.