

TECHNICAL DATA

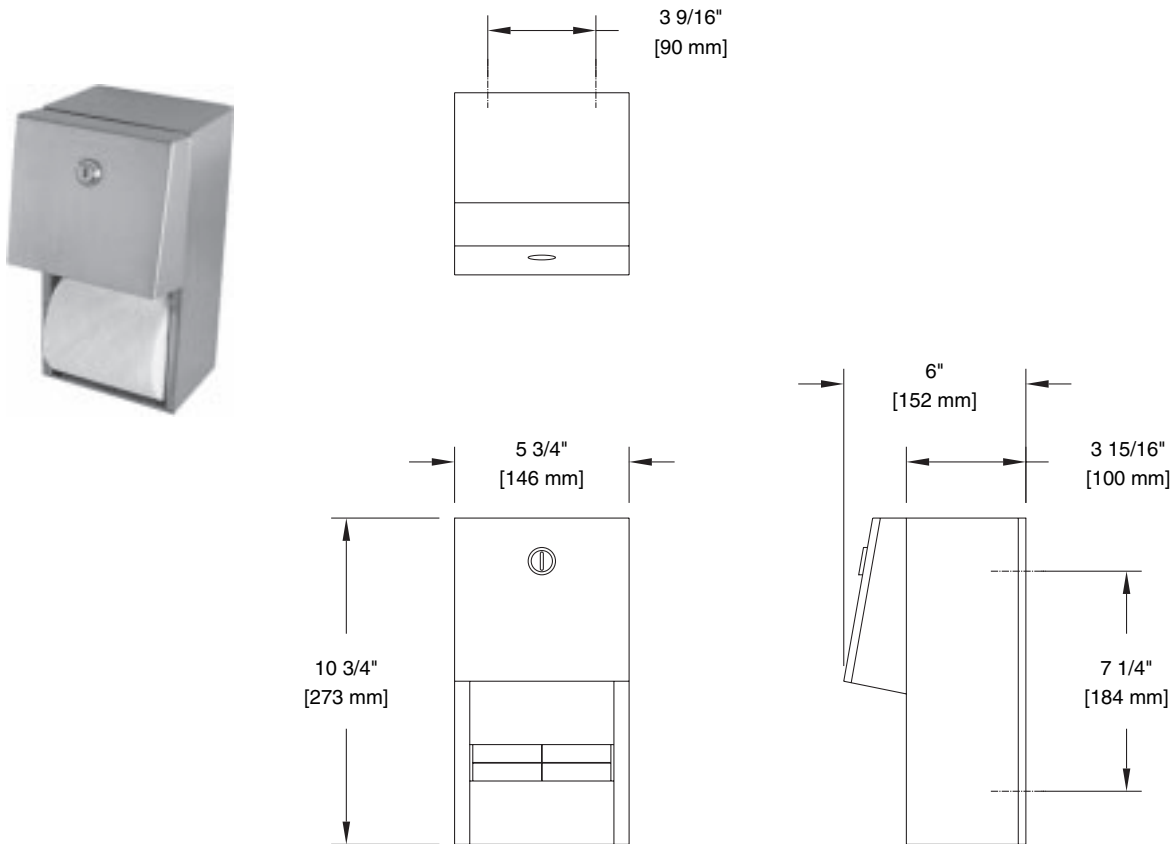
LIBERTY HARDWARE[®]
MANUFACTURING CORPORATION

A Masco Company

140 Business Park Drive • Winston-Salem, NC 27107
800.542.3789 • T 336.769.4077 • F 336.769.1839
www.libertyhardware.com

SPARE ROLL TOILET PAPER HOLDER

1968 Series



MATERIALS:

Cabinet - 22 gauge type 304 satin stainless steel
Door - 18 gauge type 304 satin stainless steel with tumber lock and key. Door attached to cabinet with heavy duty rivets.
Rollers - Plastic

CAPACITY:

Unit holds two rolls up to 5" diameter. Door opens downward for easy loading. Spare roll automatically drops into place when bottom roll is used up.

INSTALLATION:

Mount cabinet to wall surface through 4 holes in back panel (3 9/16" C-C horizontal; 7 1/4" C-C vertically) with 4- #9 x 1 1/2" panhead zinc plated steel screws provided. Wood blocking is preferable behind all wall surfaces. If wood blocking is not available, the following fasteners are suggested:

Tile/Masonry - Plastic or lead anchors
Plaster/Drywall - Toggle bolts

SPECIFICATION:

Spare roll paper holder shall be model number 1968 by Liberty Hardware Manufacturing Corporation.