

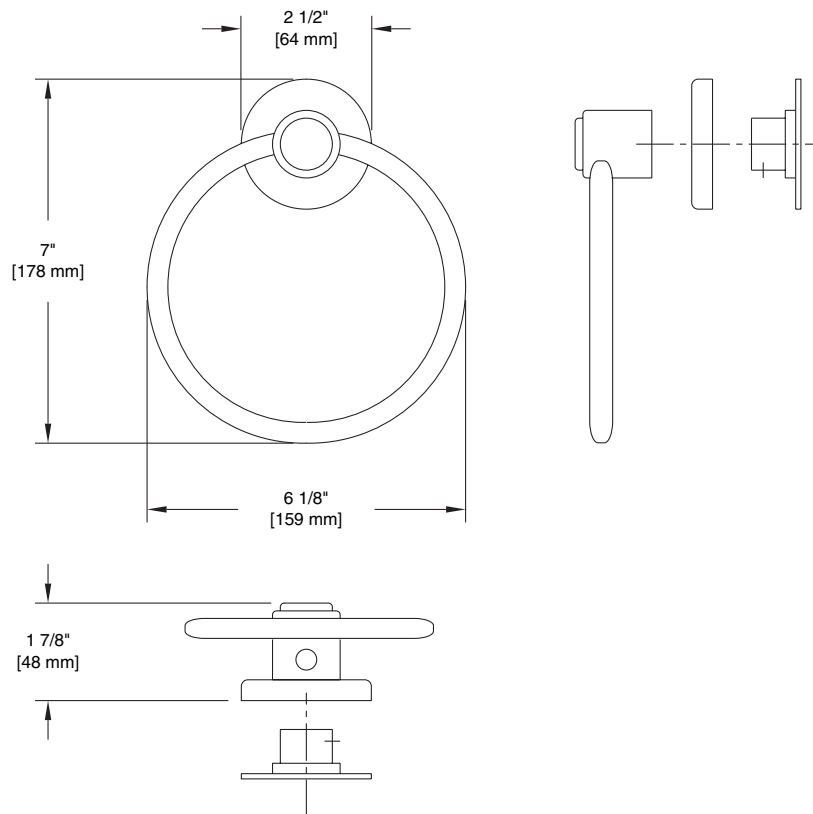
TECHNICAL DATA

LIBERTY HARDWARE[®]
MANUFACTURING CORPORATION

A Masco Company

140 Business Park Drive • Winston-Salem, NC 27107
800.542.3789 • T 336.769.4077 • F 336.769.1839
www.libertyhardware.com

TEMPRA[®]
Towel Ring



MATERIALS:

Wall Flange- 23 gauge stamped brass
Projecting Post - 23 gauge stamped brass
Ring - 3/8" diameter .025 (23 gauge) brass tubing
Wall Plate - 1/8" thick die cast zinc (Zamak) with 1" diameter projecting stud

INSTALLATION:

Mount wall plate on wall surface (set screw hole on bottom) with 3- #8 x 1 1/4" roundhead zinc plated steel screws provided. Slip cover flange over wall plate by aligning the 3 keyholes with the 3 ribs. Slip projecting towel ring over wall plate and flange, pressing firmly towards wall surface while tightening set screw into hole until secure.

Wood blocking is preferable behind all wall surfaces. If wood blocking is not available, the following optional fasteners are suggested:

Tile/Masonry - Plastic or lead anchors

Plaster/Drywall - Toggle bolts

SPECIFICATION:

Surface mounted towel ring shall be model _____ (fill in model number)
by Liberty Hardware Manufacturing Corporation.