

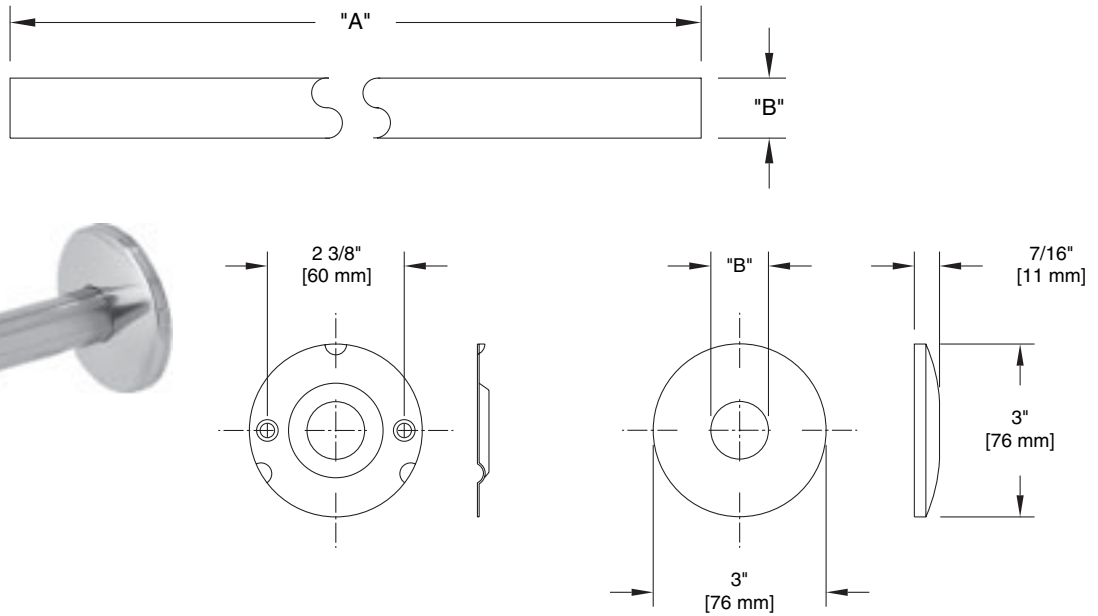
# TECHNICAL DATA

**LIBERTY HARDWARE®**  
MANUFACTURING CORPORATION

**A Masco Company**

140 Business Park Drive • Winston-Salem, NC 27107  
800.542.3789 • T 336.769.4077 • F 336.769.1839  
www.libertyhardware.com

## SHOWER ROD 161CS & 167CS Series



MODEL#	DIM "A"	DIM "B"
161CS	5' (127mm), 6' (152mm)	1" (25mm) O.D.
167CS	5' (127mm)	1 1/4" (32mm) O.D.

**MATERIALS:** 161CS tubing is of 1" O.D. x .035 (20 gauge) seamless type 304 polished stainless steel. 167CS tubing is of 1 1/4" O.D. x .049 (18 gauge) seamless type 304 polished stainless steel. Wall flanges are of 14 gauge type 304 stainless steel. Snap lock cover flanges are of 20 gauge type 304 polished stainless steel.

**INSTALLATION:** Install wall flanges and rod with 4-#10 x 2" panhead stainless steel screws provided. Snap lock cover flanges to be on rod before installation of wall flanges and rod. Slide cover flanges over wall flanges lining up dimples and catches on both parts. Press firmly and rotate cover flange 1/4" to complete installation. Wood blocking is preferable behind all wall surfaces. If wood blocking is not available, the following optional fasteners are suggested:

Tile/Masonry - Plastic or lead anchors  
Plaster/Drywall - Toggle Bolts

**SPECIFICATION:** Surface mounted shower rod shall be model \_\_\_\_\_ (fill in model number and length) by Liberty Hardware Manufacturing Corporation.