

TECHNICAL DATA

LIBERTY HARDWARE®

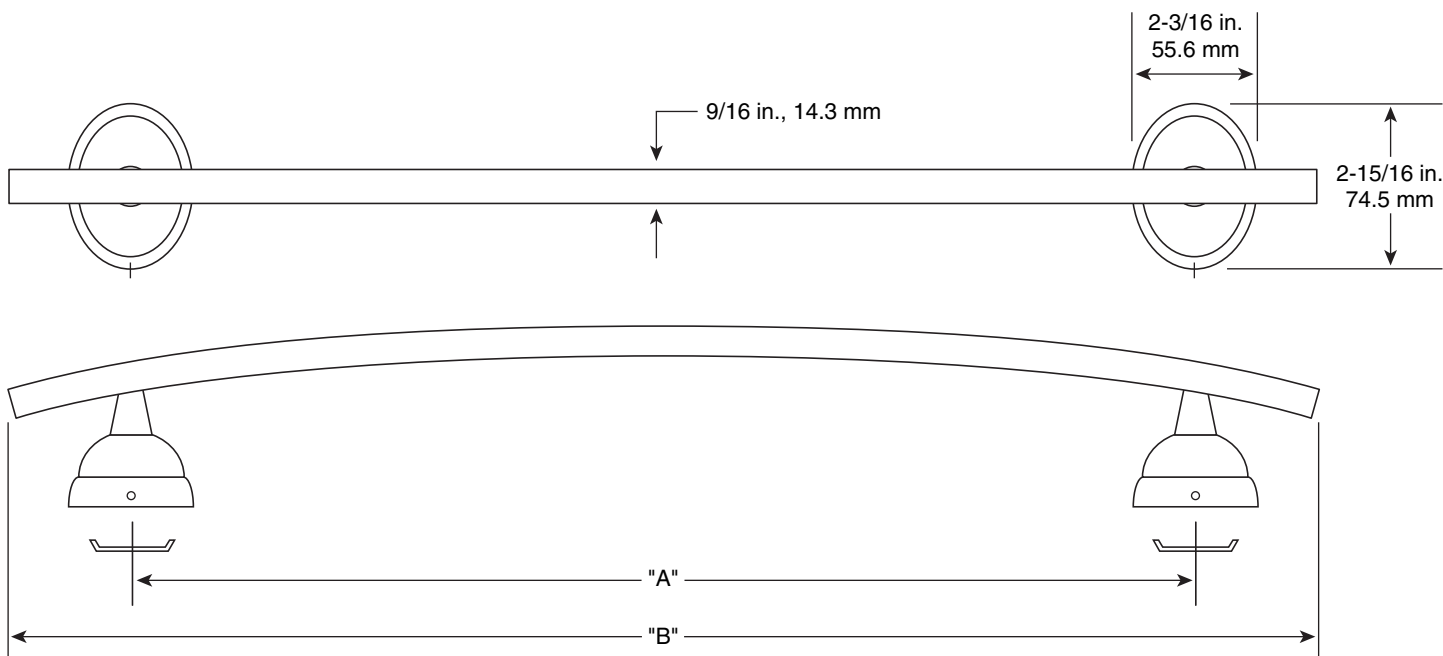
MANUFACTURING CORPORATION

A Masco Company

140 Business Park Drive • Winston-Salem, NC 27107
 800.542.3789 • T 336.769.4077 • F 336.769.1839
 www.libertyhardware.com

SATRIA®

Towel Bar



18 in. TOWEL BAR

"A" = 13-5/8 in., 346 mm

"B" = 18-1/8 in., 460 mm

24 in. TOWEL BAR

"A" = 19-11/16 in., 500 mm

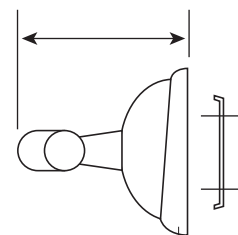
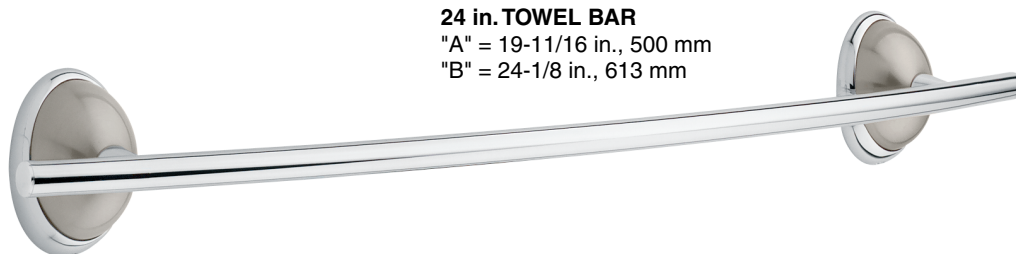
"B" = 24-1/8 in., 613 mm

18 in. TOWEL BAR

2-15/16 in., 74.5 mm

24 in. TOWEL BAR

3-1/4 in., 82.6 mm



MATERIALS:

Base plate and post - zinc die cast
 Bell - steel; 24 gage
 18 in. & 24 in. Bars - brass tube; 23 gage
 Wall plate - 20 gage; steel, zinc plated

WEIGHTS:

18 in. Towel Bar - 1.56 lbs., 24 in. Towel Bar - 1.82 lbs.

INSTALLATION:

Mount two wall plates at 13-5/8 in. center-to-center for 18 in. towel bar, 19-11/16 in. center-to-center for 24 in. towel bar with four #8 x 1-1/4 in. round head, zinc plated steel screws and plastic anchors provided. Slip towel bar posts over wall plates and tighten set screws until secure.

OPTIONAL FASTENER INFORMATION: Wood blocking is preferable behind all wall surfaces. If wood blocking is not available, the following fasteners are suggested: tile/masonry - plastic or lead anchors; plaster/drywall - toggle bolts.

SPECIFICATION: Surface mounted towel bar shall be model _____ (fill in model number) by Liberty Hardware Manufacturing Corporation.