

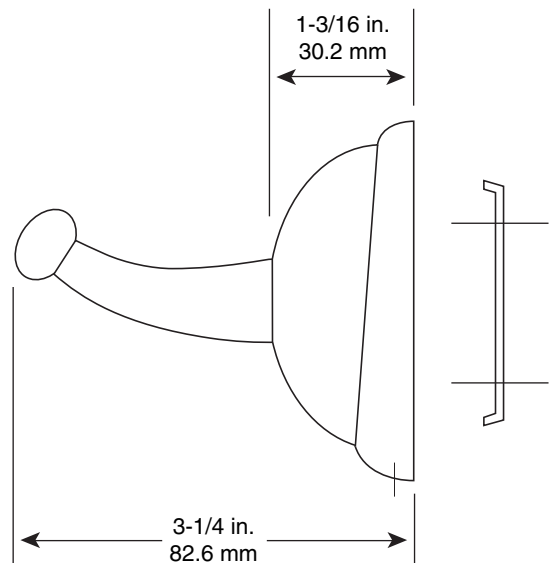
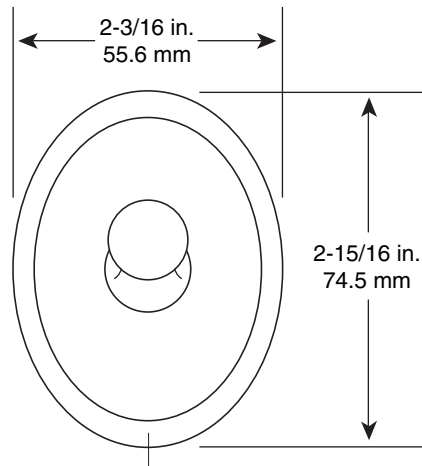
TECHNICAL DATA

LIBERTY HARDWARE®
MANUFACTURING CORPORATION

A Masco Company

140 Business Park Drive • Winston-Salem, NC 27107
800.542.3789 • T 336.769.4077 • F 336.769.1839
www.libertyhardware.com

SATRIA®
Single Robe Hook



MATERIALS: Base plate and hook - zinc die cast
Bell - steel; 24 gage
Wall plate - 20 gage; steel, zinc plated

WEIGHT: .66 lb.

INSTALLATION: Mount wall plate with two #8 x 1-1/4 in. round head, zinc plated steel screws and plastic anchors provided. Slip single robe hook over wall plate and tighten set screw until secure.

OPTIONAL FASTENER INFORMATION: Wood blocking is preferable behind all wall surfaces. If wood blocking is not available, the following fasteners are suggested: tile/masonry - plastic or lead anchors; plaster/drywall - toggle bolts.

SPECIFICATION: Surface mounted single robe hook shall be model _____ (fill in model number) by Liberty Hardware Manufacturing Corporation.