

# TECHNICAL DATA

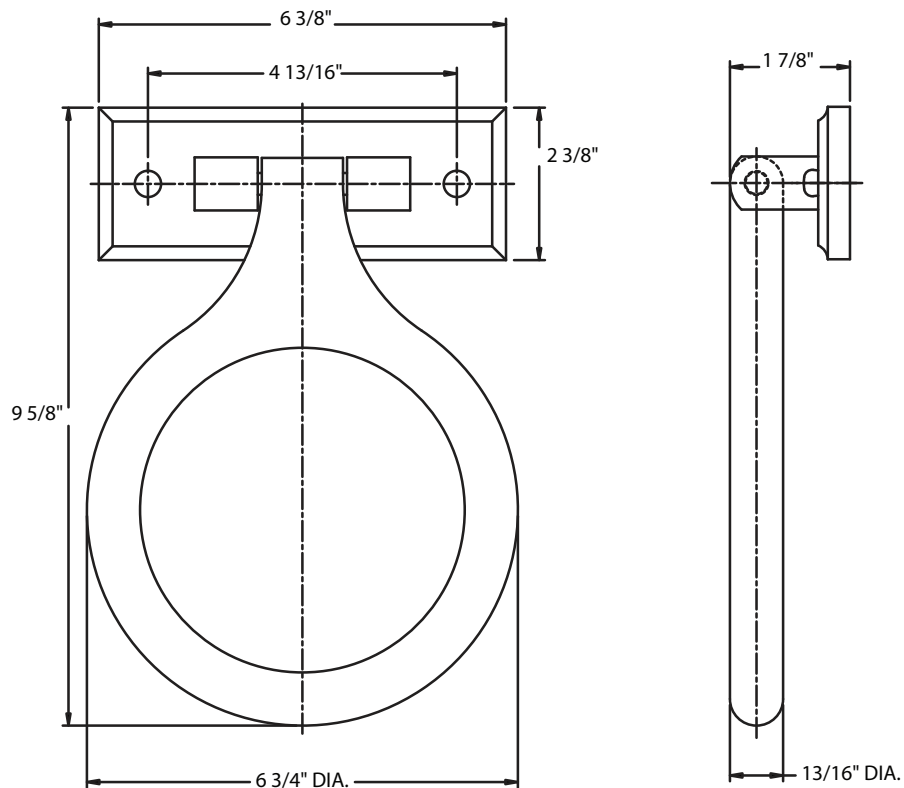
# LIBERTY HARDWARE®

MANUFACTURING CORPORATION

A Masco Company

140 Business Park Drive • Winston-Salem, NC 27107  
800.542.3789 • T 336.769.4077 • F 336.769.1839  
www.libertyhardware.com

## RUSTIC OAK Towel Ring



**MATERIALS:** Base and Plugs - Wood  
Ring - Wood; 13/16" Diameter

**INSTALLATION:** Mount towel ring base with 2 #8 x 1-1/8" flat head brass plated steel screws provided. Insert plugs into mounting holes of base.

**OPTIONAL  
FASTENER**

**INFORMATION:** Wood blocking is preferable behind all wall surfaces. If wood blocking is not available, the following fasteners are suggested: Tile/Masonry - Plastic or Lead Anchors; Plaster/Drywall - Toggle Bolts.

**SPECIFICATION:** Surface mounted towel ring shall be model \_\_\_\_\_ (fill in model number) by Liberty Hardware Manufacturing Corporation.