

# TECHNICAL DATA

# LIBERTY HARDWARE®

MANUFACTURING CORPORATION

A Masco Company

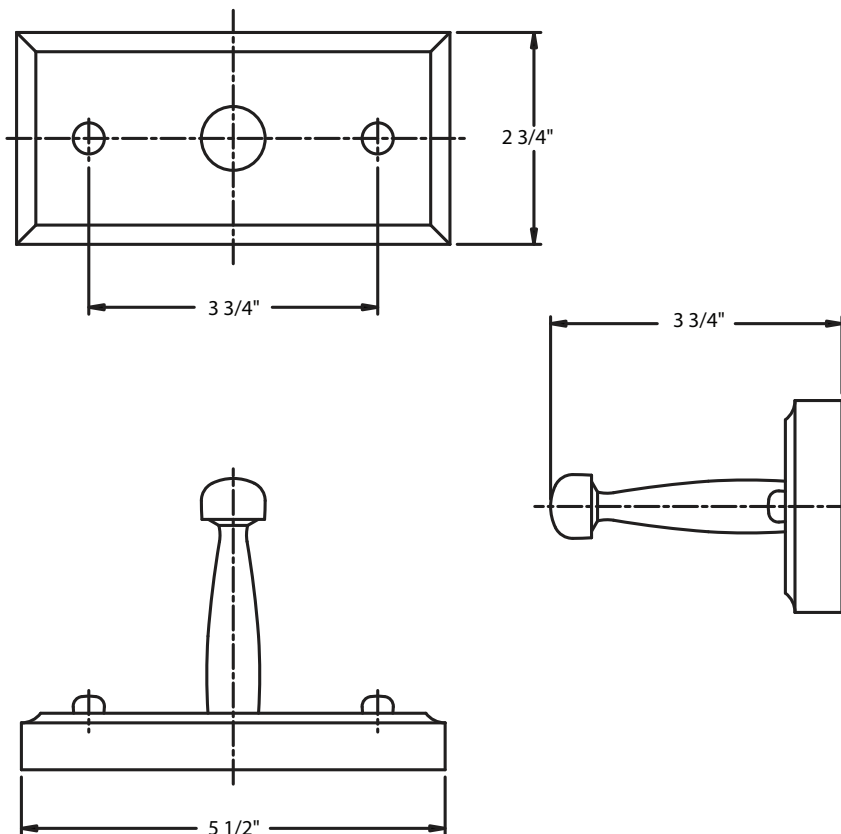
140 Business Park Drive • Winston-Salem, NC 27107

800.542.3789 • T 336.769.4077 • F 336.769.1839

www.libertyhardware.com

## RUSTIC OAK

### Single Robe Hook



**MATERIALS:** Base, Post, and Plugs - Wood

**INSTALLATION:** Mount robe hook with 2 #8 x 1-1/8" flat head brass plated steel screws provided. Insert plugs into mounting holes of base.

**OPTIONAL FASTENER**

**INFORMATION:** Wood blocking is preferable behind all wall surfaces. If wood blocking is not available, the following fasteners are suggested: Tile/Masonry - Plastic or Lead Anchors; Plaster/Drywall - Toggle Bolts.

**SPECIFICATION:** Surface mounted robe hook shall be model \_\_\_\_\_ (fill in model number) by Liberty Hardware Manufacturing Corporation.