

TECHNICAL DATA

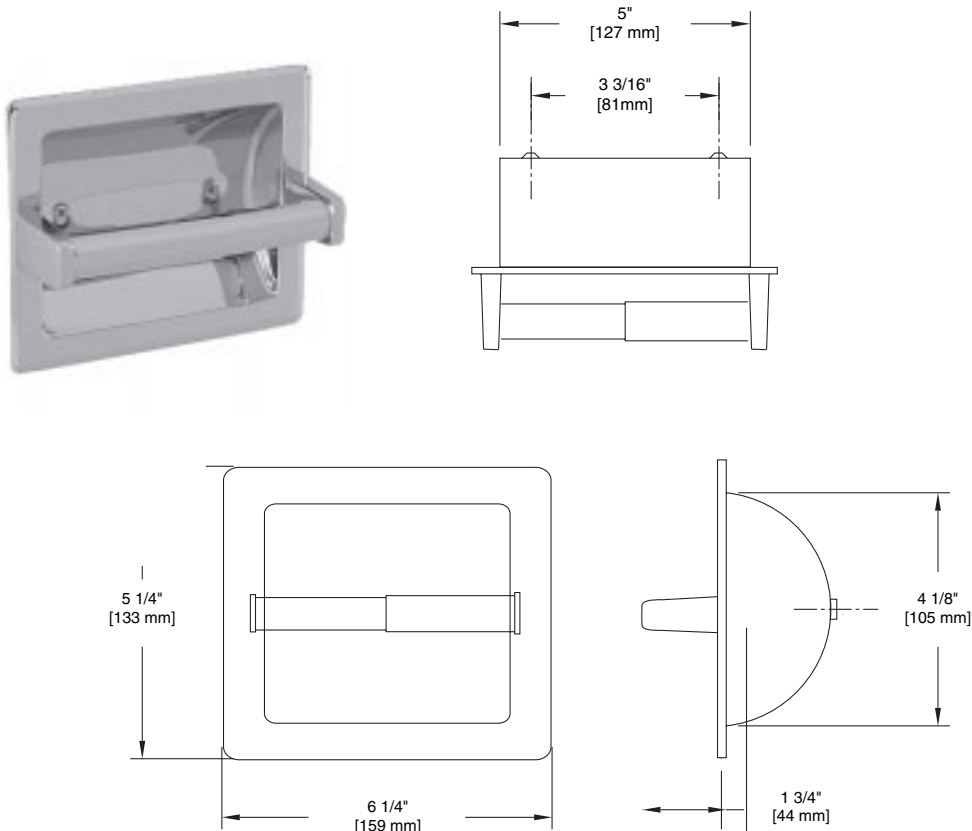
LIBERTY HARDWARE®
MANUFACTURING CORPORATION

A Masco Company

140 Business Park Drive • Winston-Salem, NC 27107
800.542.3789 • T 336.769.4077 • F 336.769.1839
www.libertyhardware.com

RECESSED TOILET PAPER HOLDER

807 Series



MATERIALS:

Chrome plated recess shells are stamped from 23 gauge special alloy brass strip, highly polished and chrome plated. Projecting posts are die cast from highest quality virgin zinc alloy (Zamak) to meet ASTM standard B-86. Casting are highly polished and chrome plated. Roller material as listed under each model number. All rollers are spring actuated.

INSTALLATION:

Cut out wall opening 5 1/4" x 4 1/4" x 1 1/4" depth. If wood blocking is available install recess shell into opening 2- #8 x 1 1/4" flathead nickle plated steel screws provided. If wood blocking is not available use optional 600R or 601R recess wall clamps.

SPECIFICATION:

Recess paper holder shall be model _____ (fill in model number) by Liberty Hardware Manufacturing Corporation.