

TECHNICAL DATA

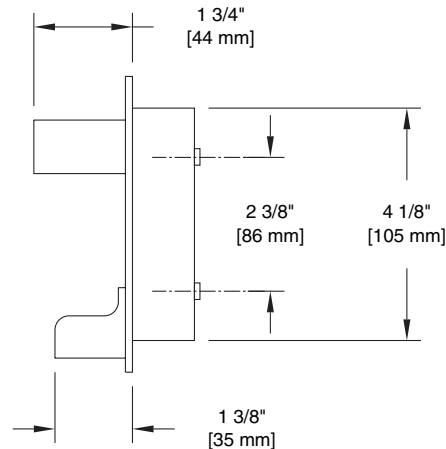
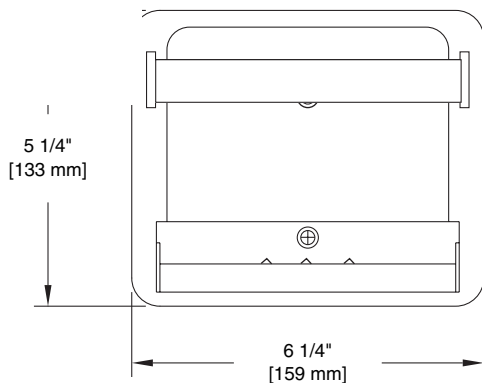
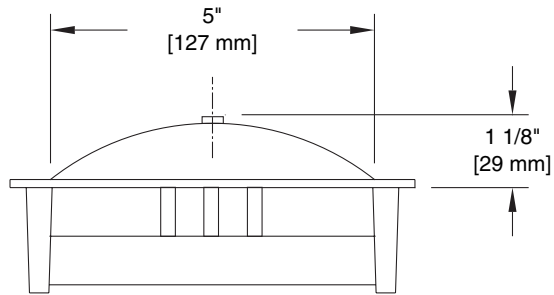
LIBERTY HARDWARE®
MANUFACTURING CORPORATION

A Masco Company

140 Business Park Drive • Winston-Salem, NC 27107
800.542.3789 • T 336.769.4077 • F 336.769.1839
www.libertyhardware.com

RECESSED SOAP DISH WITH BAR

808 Series



MATERIALS:

Chrome plated recess shells are stamped from 23 gauge special alloy brass strip, highly polished and chrome plated. Projecting posts are die cast from highest quality virgin zinc alloy (Zamak) to meet ASTM standard B-86. Castings are highly polished and chrome plated. Bar tubing is of 3/4" x .025 (23 gauge) round seamless brass, highly polished and chrome plated. Removable soap trays are of styrene copolymer.

INSTALLATION:

Cut out wall opening 5 1/4" x 4 1/4" x 1 1/4" depth. If wood blocking is available install recess shell into opening using 2- #8 x 1 1/4" flathead nickel plated steel screws provided. If wood blocking is not available use optional 600R or 601R recess wall clamps.

SPECIFICATION:

Recess soap with bar shall be model _____ (fill in model number)
by Liberty Hardware Manufacturing Corporation.