

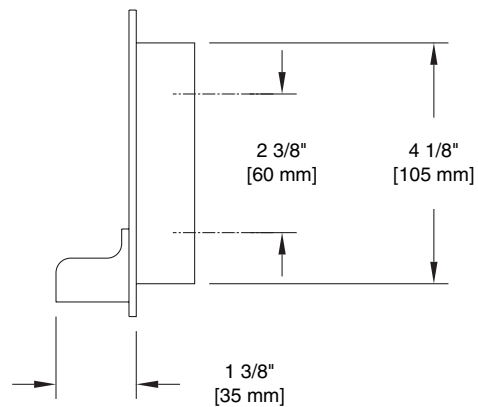
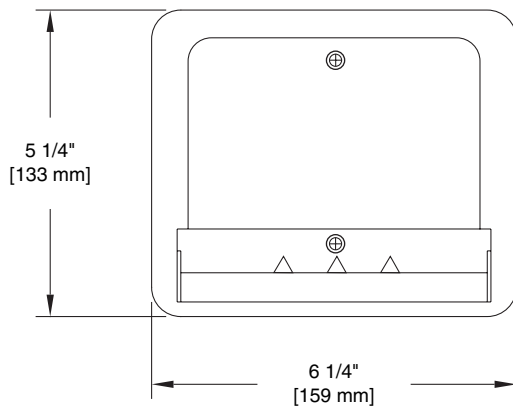
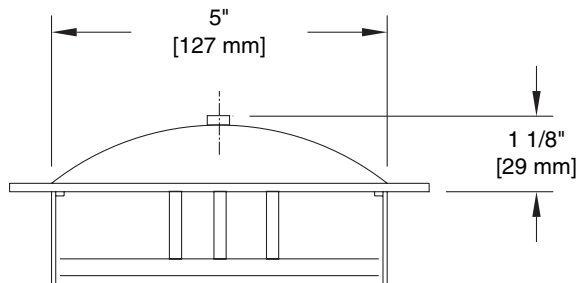
# TECHNICAL DATA

**LIBERTY HARDWARE<sup>®</sup>**  
MANUFACTURING CORPORATION

**A Masco Company**

140 Business Park Drive • Winston-Salem, NC 27107  
800.542.3789 • T 336.769.4077 • F 336.769.1839  
www.libertyhardware.com

## RECESSED SOAP DISH 806 Series



**MATERIALS:** Chrome plated recess shells are stamped from 23 gauge special alloy brass strip, highly polished and chrome plated. Removable soap trays are of styrene copolymer.

**INSTALLATION:** Cut out wall opening 5 1/4" x 5 1/4" x 1 1/4" depth. If wood blocking is available install recess shell into opening using 2- #8 x 1 1/4" flathead nickel plated steel screws provided. If wood blocking is not available use optional 600R or 601R recess wall clamps.

**SPECIFICATION:** Recess soap dish shall be model \_\_\_\_\_ (fill in model number) by Liberty Hardware Manufacturing Corporation.