

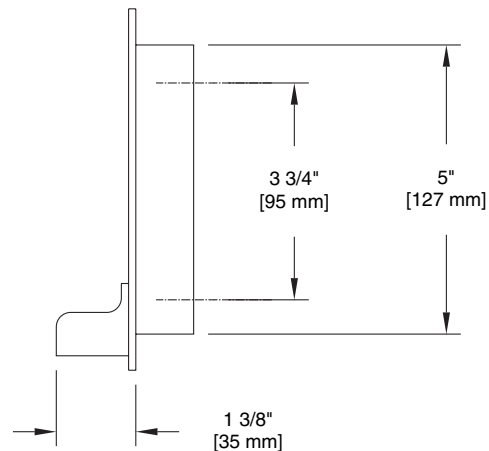
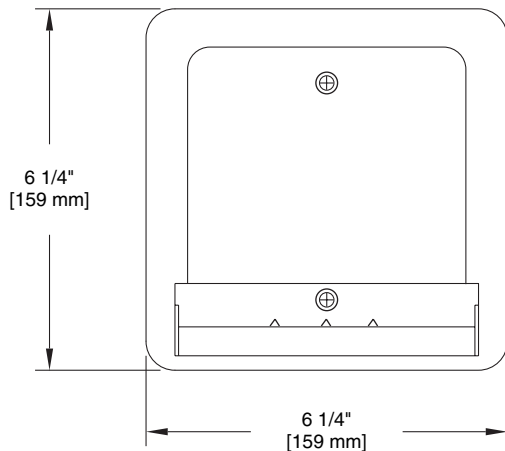
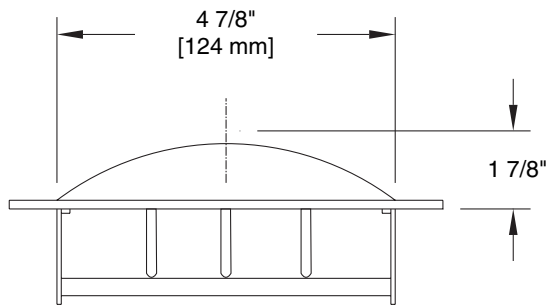
# TECHNICAL DATA

**LIBERTY HARDWARE**<sup>®</sup>  
MANUFACTURING CORPORATION

A Masco Company

140 Business Park Drive • Winston-Salem, NC 27107  
800.542.3789 • T 336.769.4077 • F 336.769.1839  
www.libertyhardware.com

## RECESSED SOAP DISH 606 & 656 Series



- MATERIALS:** Chrome plated recess shells are stamped from 21 gauge special alloy brass strip, highly polished, and chrome plated. Stainless steel recess shells are stamped from 22 gauge corrosion resistant type 304 stainless steel and are polished or satined. Removable soap trays are of styrene copolymer.
- INSTALLATION:** Cut out wall opening 5 1/4" x 5 1/4" x 2" depth. If wood blocking available install recess shell into opening using 2- #8 x 1 1/4" flathead nickel plated steel screws provided. If wood blocking is not available use optional 600R or 601R recess wall clamps.
- SPECIFICATION:** Recess soap dish shall be model \_\_\_\_\_ (fill in model number) by Liberty Hardware Manufacturing Corporation.