

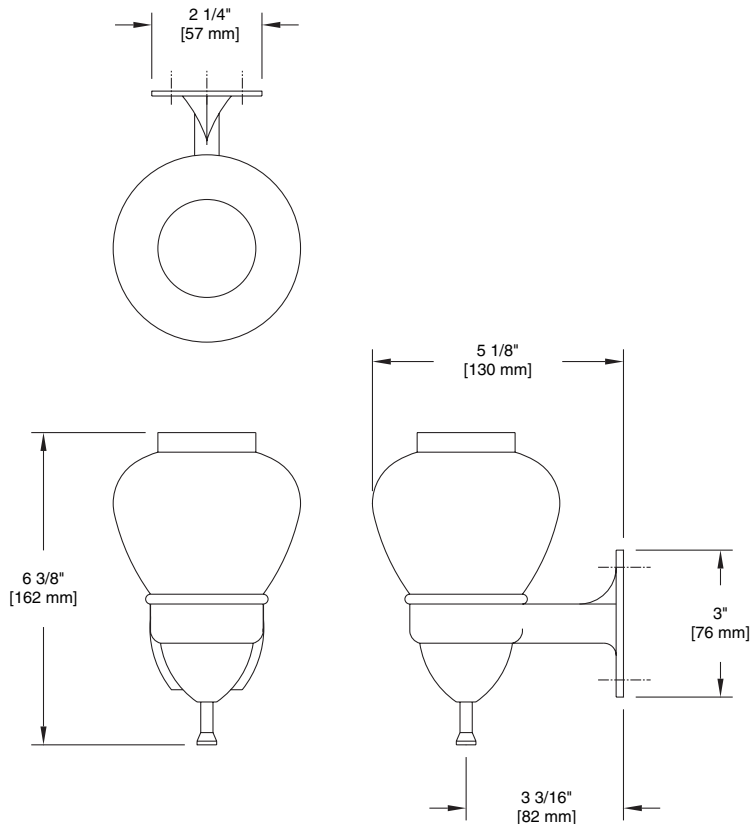
TECHNICAL DATA

LIBERTY HARDWARE[®]
MANUFACTURING CORPORATION

A Masco Company

140 Business Park Drive • Winston-Salem, NC 27107
800.542.3789 • T 336.769.4077 • F 336.769.1839
www.libertyhardware.com

LIQUID SOAP DISPENSER 1925 Series



MATERIALS: Base Bracket - Chrome plated zinc (Zamak)
Valve - Chrome plated brass
Globe - White translucent polyethylene

CAPACITY: 16 ounces of liquid soap. Globe/valve unscrews from base and valve then unscrews from globe for filling.

INSTALLATION: Unscrew globe/valve from base bracket. Install base bracket on wall surface with 3- #8 x 1 1/4" panhead zinc plated steel screws provided. Wood blocking is preferable behind all wall surfaces. If wood blocking is not available, the following fasteners are suggested:

Tile/Masonry - Plastic or lead anchors
Plaster/Drywall - Toggle bolts

SPECIFICATION: Surface mounted liquid soap dispenser shall be model number 1925 by Liberty Hardware Manufacturing Corporation.