

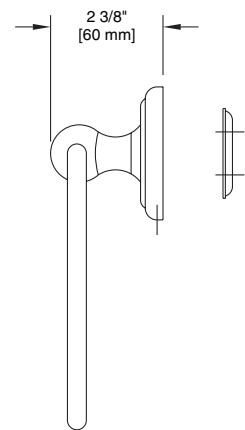
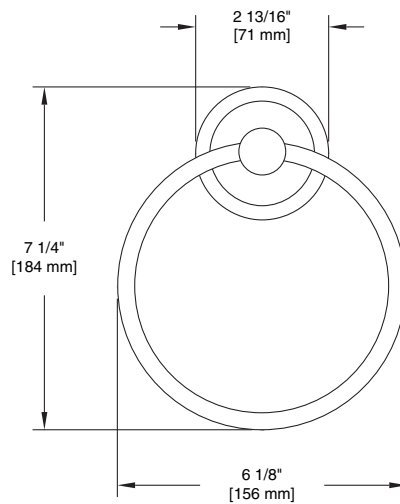
TECHNICAL DATA

LIBERTY HARDWARE®
MANUFACTURING CORPORATION

A Masco Company

140 Business Park Drive • Winston-Salem, NC 27107
800.542.3789 • T 336.769.4077 • F 336.769.1839
www.libertyhardware.com

JAMESTOWN®
Towel Ring



MATERIALS: Towel ring post is die cast from highest quality virgin zinc alloy (Zamak) to meet ASTM standard B-86. Wall plates are 19 gauge zinc plated steel. Ring is 3/8" diameter .025 (23 gauge) aluminum tubing.

INSTALLATION: Mount wall plate on wall surface in vertical position with 2- #8 x 1 1/4" roundhead zinc plated steel screws provided. Slip towel ring over wall plate and tighten set screw until secure.

Wood blocking is preferable behind all wall surfaces. If wood blocking is not available, the following optional fasteners are suggested:

Tile/Masonry - Plastic or lead anchors
Plastic/Drywall - Toggle bolts

SPECIFICATION: Surface mounted towel ring shall be model _____ (fill in model number) by Liberty Hardware Manufacturing Corporation.