

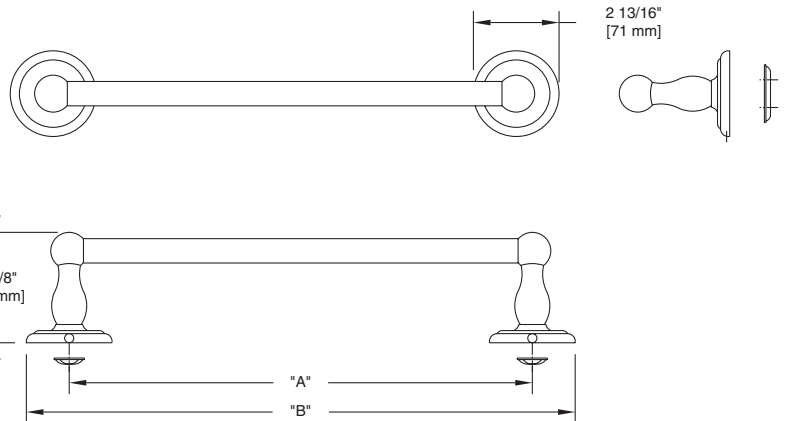
# TECHNICAL DATA

**LIBERTY HARDWARE®**  
MANUFACTURING CORPORATION

**A Masco Company**

140 Business Park Drive • Winston-Salem, NC 27107  
800.542.3789 • T 336.769.4077 • F 336.769.1839  
www.libertyhardware.com

**JAMESTOWN®**  
Towel Bar



LENGTH	18" (457 mm)	24" (610 mm)	30" (762 mm)
DIM "A"	18 1/4" (464 mm)	24 1/4" (616 mm)	30 1/4" (768 mm)
DIM "B"	21 1/16" (535 mm)	27 1/16" (687 mm)	33 1/16" (840 mm)

**MATERIALS:** Towel bar posts are die cast from highest quality virgin zinc alloy (Zamak) to meet ASTM standard B-86. Wall plates are 19 gauge zinc plated steel. Bar material/finish for W is 3/4" diameter x .025 (23 gauge), or white polyester powder coat (W). Bar material/finish for PB and AC is 3/4" diameter x .020 (25 gauge) polished brass (PB) or chrome plated brass (PC). Bar material for SN is 3/4" diameter x .015 (28 gauge) satin stainless steel.

**INSTALLATION:** Mount wall plates at 18 1/4" C-C for 18" bar, 24 1/4" C-C for 24" bar and 30 1/4" C-C for 30" bar on wall surface in vertical position with 4- #8 x 1 1/4" roundhead zinc plated steel screws provided. Slip posts and bar over wall plates and tighten set screws until secure.

Wood blocking is preferable behind all wall surfaces. If wood blocking is not available, the following optional fasteners are suggested:

Tile/Masonry - Plastic or lead anchors  
Plastic/Drywall - Toggle bolts

**SPECIFICATION:** Surface mounted towel bar set shall be model \_\_\_\_\_ (fill in model number) by Liberty Hardware Manufacturing Corporation.