

TECHNICAL DATA

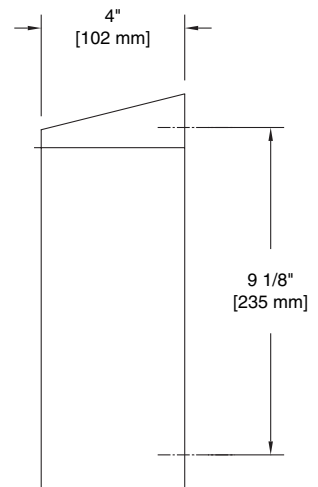
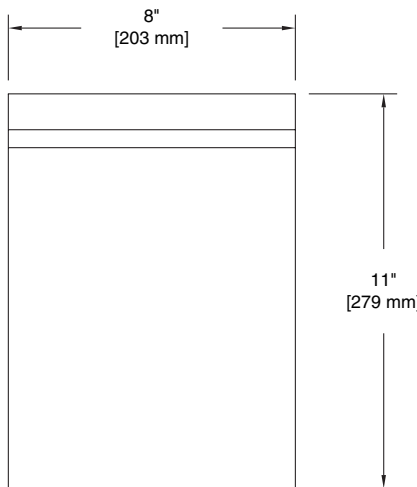
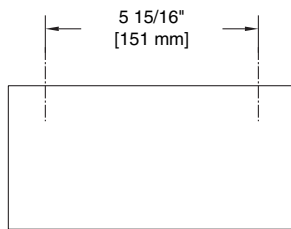
LIBERTY HARDWARE®
MANUFACTURING CORPORATION

A Masco Company

140 Business Park Drive • Winston-Salem, NC 27107
800.542.3789 • T 336.769.4077 • F 336.769.1839
www.libertyhardware.com

SANITARY NAPKIN RECEPTACLE

1985 Series



MATERIALS: Unit is fabricated of 26 gauge type 304 satin stainless steel. Top and bottom doors mounted of full length stainless steel piano hinges. All welded construction.

CAPACITY: 1.5 gallons. Bottom door provided with handle and bullet catch locking device for easy unloading.

INSTALLATION: Mount receptacle to wall surface through 3 holes in back panel (5 15/16" C-C horizontally; 3rd hole center and 9 1/8" below top 2 holes) with 3- #9 x 1 1/2" panhead zinc plated steel screws provided. Wood blocking is preferable behind all wall surfaces. If wood blocking is not available, the following optional fasteners are suggested:

Tile/Masonry - Plastic or lead anchors
Plaster/Drywall - Toggle bolts

SPECIFICATION: Surface mounted sanitary napkin receptacle shall be model number 1985 by Liberty Hardware Manufacturing Corporation.