

TECHNICAL DATA

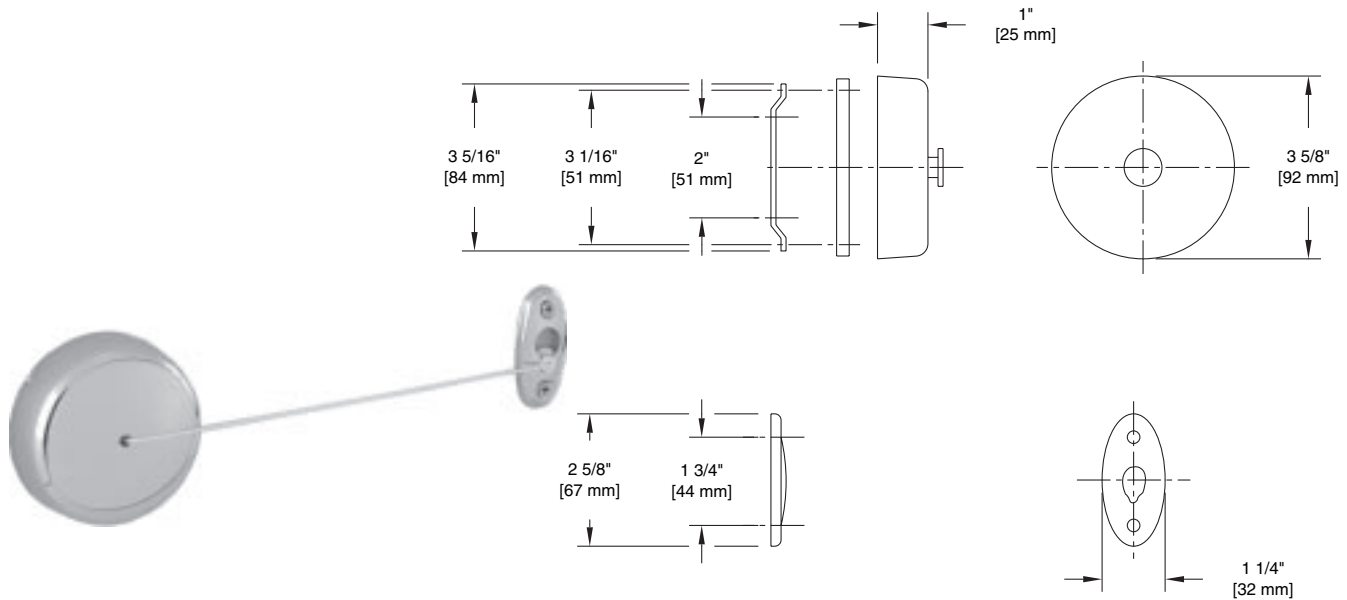
LIBERTY HARDWARE®
MANUFACTURING CORPORATION

A Masco Company

140 Business Park Drive • Winston-Salem, NC 27107
800.542.3789 • T 336.769.4077 • F 336.769.1839
www.libertyhardware.com

RETRACTABLE CLOTHESLINE

910 Series



MATERIALS:

Base Wall Panel - 20 gauge galvanize steel
Wall Plate - 16 gauge zinc plated cold rolled steel
Cord Flange - 21 gauge brass
Cover - 23 gauge brass
Spring - type 301 hi-tensil stainless strip, .008 thick x 1/4" wide on nylon reel.
Cord - 6' length nylon
Cord Knob - nylon

INSTALLATION:

Mount 1" x 3 5/16" wall plate vertically with flat side against wall with 2- #8 x 1 1/4" roundhead zinc plated steel screws provided. Pull cover off base wall panel and install wall panel on wallplate with 2- #6/32 x 3/16" panhead nickel plated steel machine screws provided. Insert cover on base wall panel lining up dimples and turn 1/4" to secure. Install cord flange on opposite wall, with larger opening on top, using 2- #9 x 3/4" flathead zinc plated steel screws provided. 6' cord can be cut to length by sliding knob to desired length, tying double knot, and cutting excess.

Wood blocking is preferable behind all wall surfaces. If wood blocking is not available, the following optional fasteners are suggested:

Tile/Masonry - Plastic or lead anchors
Plastic/Drywall - Toggle bolts

SPECIFICATION:

Surface mounted retractable clothesline shall be model _____ (fill in model number)
by Liberty Hardware Manufacturing Corporation.