

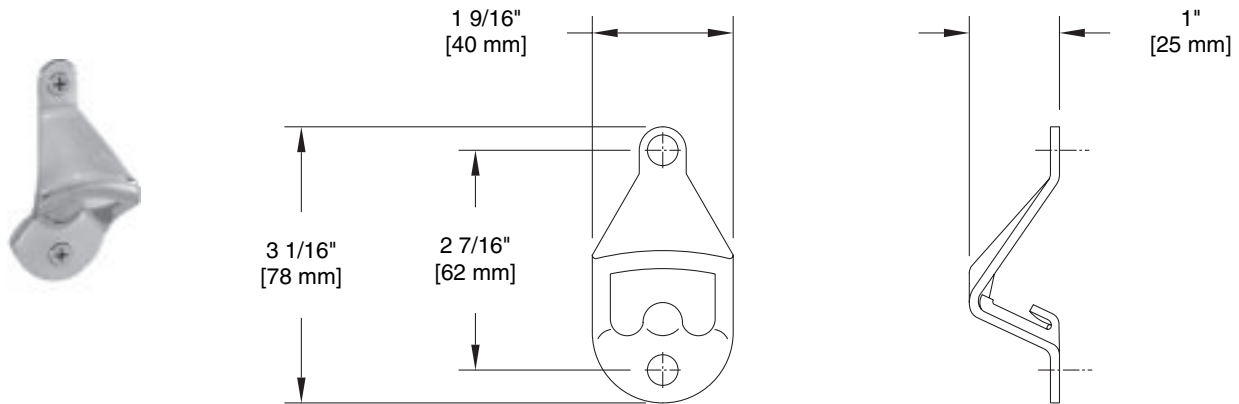
TECHNICAL DATA

LIBERTY HARDWARE[®]
MANUFACTURING CORPORATION

A Masco Company

140 Business Park Drive • Winston-Salem, NC 27107
800.542.3789 • T 336.769.4077 • F 336.769.1839
www.libertyhardware.com

BOTTLE OPENER 944 Series



MATERIALS: 14 gauge

INSTALLATION: Position on wall or door and install with 2- #9 x 3/4" flathead stainless steel screws provided.

Wood blocking is preferable behind all wall surfaces. If wood blocking is not available, the following optional fasteners are suggested:

Tile/Masonry - Plastic or lead anchors
Plastic/Drywall - Toggle bolts

SPECIFICATION: Surface mounted bottle opener shall be model _____ (fill in model number)
by Liberty Hardware Manufacturing Corporation.