

# TECHNICAL DATA

# LIBERTY HARDWARE<sup>®</sup>

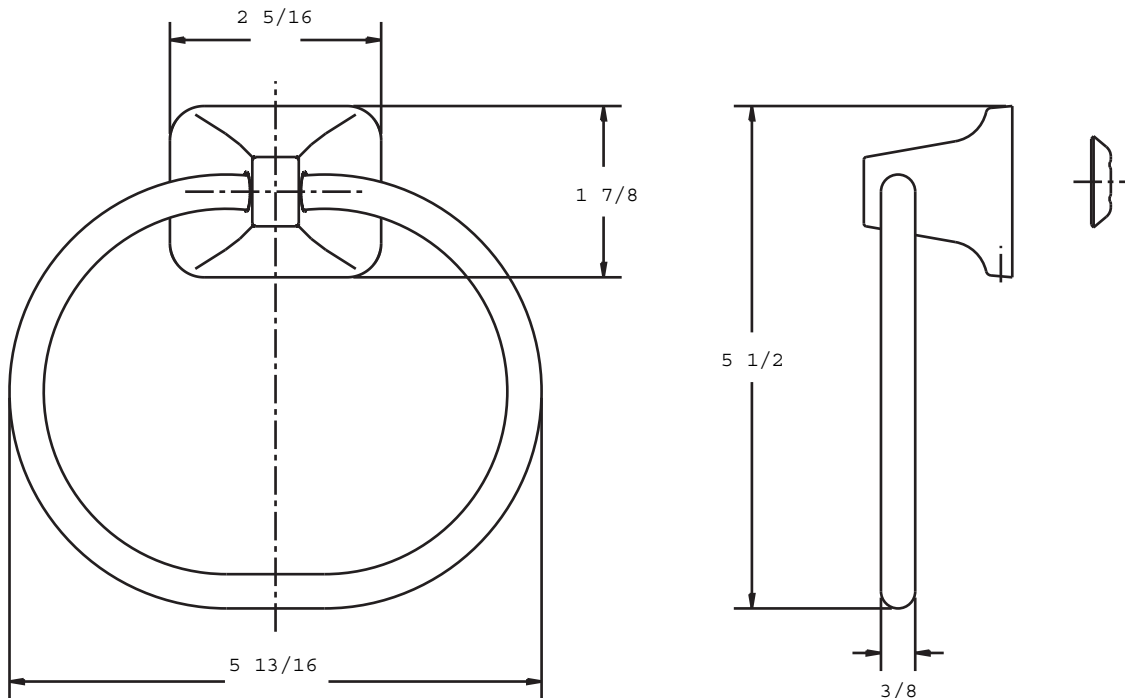
MANUFACTURING CORPORATION

A Masco Company

140 Business Park Drive • Winston-Salem, NC 27107  
800.542.3789 • T 336.769.4077 • F 336.769.1839  
www.libertyhardware.com

## FUTURA<sup>®</sup>

Towel Ring



**MATERIALS:** Post - Zinc Die Cast  
Ring - Brass; 22 Gage  
Wall Plate - Steel; 22 Gage; Zinc Plated

**INSTALLATION:** Mount wall plate with 2 #8 x 1-1/4" round head zinc plated steel screws and plastic anchors provided. Slip towel ring post over the wall plate and tighten set screw until secure.

**OPTIONAL FASTENER**

**INFORMATION:** Wood blocking is preferable behind all wall surfaces. If wood blocking is not available, the following fasteners are suggested:  
Tile/Masonry - Plastic or Lead Anchors;  
Plaster/Drywall - Toggle Bolts.

**SPECIFICATION:** Surface mounted towel ring shall be model \_\_\_\_\_  
(fill in model number) by Liberty Hardware Manufacturing Corporation.