

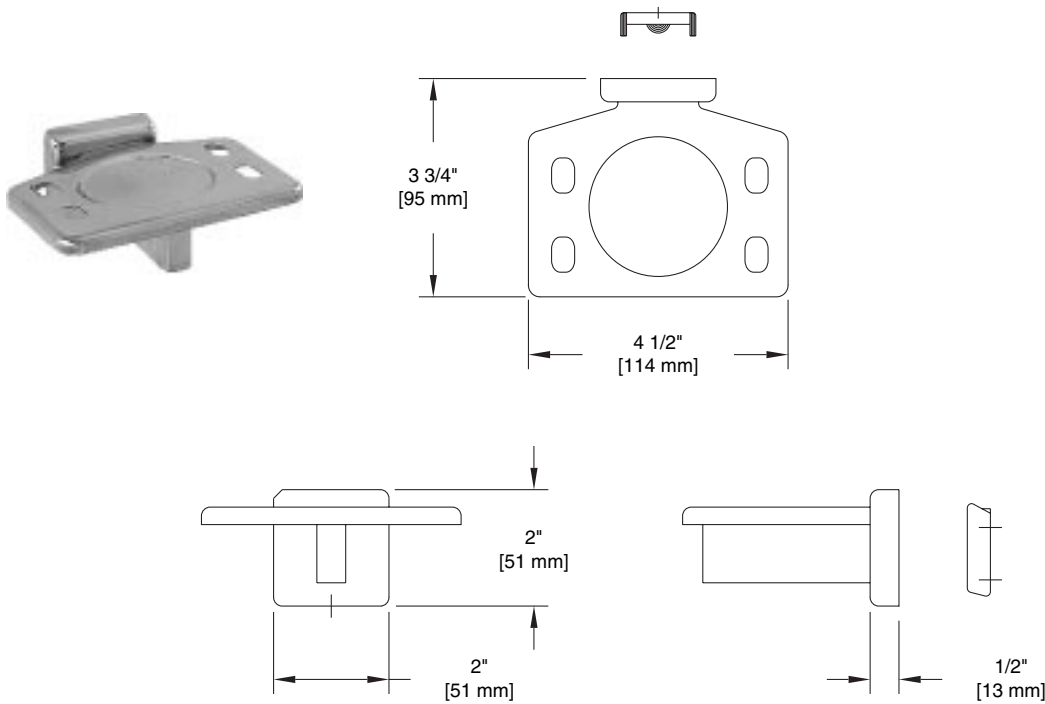
# TECHNICAL DATA

**LIBERTY HARDWARE®**  
MANUFACTURING CORPORATION

**A Masco Company**

140 Business Park Drive • Winston-Salem, NC 27107  
800.542.3789 • T 336.769.4077 • F 336.769.1839  
www.libertyhardware.com

## CENTURY Toothbrush & Tumbler Holder



**MATERIALS:** Inner Wall Flange - 16 gauge type 304 stainless steel  
Cover Wall Flange - 22 gauge type 304 stainless steel  
Projecting Post - 22 gauge type 304 stainless steel  
Brush & Tumbler Tray - 22 gauge type 304 stainless steel

All components welded construction with concealed screw attachment on 16 gauge stainless steel wall plate.

**INSTALLATION:** Mount wall plate on wall surface in vertical position with 2- #8 x 1 1/4" roundhead zinc plated steel screws provided. Slip wall flange/ projecting post/ brush & tumbler assembly over wall plate and tighten set screw until secure. Wood blocking is preferable behind all wall surfaces. If wood blocking is not available, the following optional fasteners are suggested:

Tile/Masonry - Plastic or lead anchors  
Plaster/Drywall - Toggle bolts

**SPECIFICATION:** Surface mounted brush & tumbler holder shall be model \_\_\_\_\_ (fill in model number)  
by Liberty Hardware Manufacturing Corporation.