

# TECHNICAL DATA

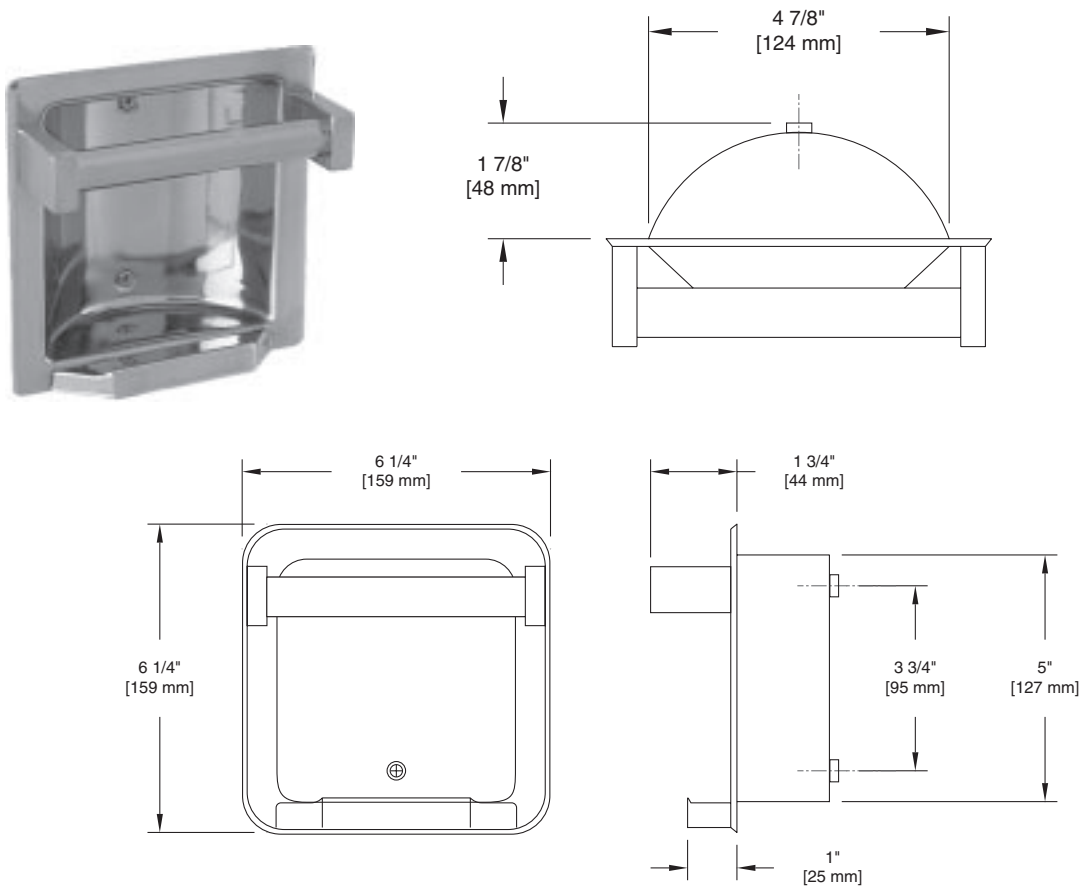
**LIBERTY HARDWARE®**  
MANUFACTURING CORPORATION

A Masco Company

140 Business Park Drive • Winston-Salem, NC 27107  
800.542.3789 • T 336.769.4077 • F 336.769.1839  
www.libertyhardware.com

## CENTURY

Recessed Soap Holder with Bar



### MATERIALS:

Stainless steel recess shells are stamped from 22 gauge corrosion resistant type 304 stainless steel and are polished or satined. Projecting posts are of 22 gauge type 304 polished or satin stainless steel. Bar tubing is 3/4" x .035 (20 gauge) round type 304 polished or satin stainless steel. Permanent soap holder is of type 304 polished or satin stainless steel.

### INSTALLATION:

Cut out wall opening 5 1/4" x 5 1/4" x 2" depth. If wood blocking available, install recess shell into opening using 2- #8 x 1 1/4" flathead stainless steel screws provided. If wood blocking is not available, use optional 600R or 601R recess wall clamps.

### SPECIFICATION:

Recess soap dish with bar shall be model \_\_\_\_\_ (fill in model number) by Liberty Hardware Manufacturing Corporation.