

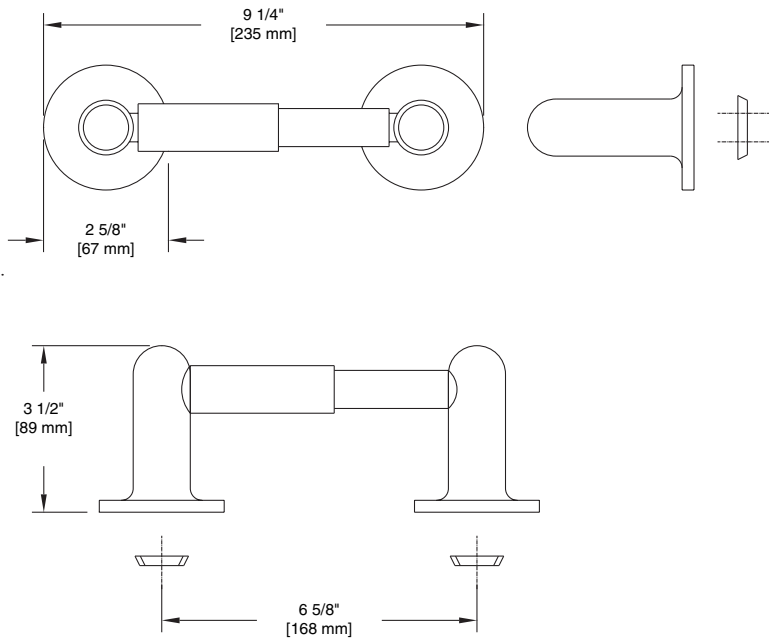
TECHNICAL DATA

LIBERTY HARDWARE®
MANUFACTURING CORPORATION

A Masco Company

140 Business Park Drive • Winston-Salem, NC 27107
800.542.3789 • T 336.769.4077 • F 336.769.1839
www.libertyhardware.com

ASTRA®
Toilet Paper Holder



MATERIALS: Paper holder posts are die cast from quality virgin zinc alloy (Zamak) to meet ASTM standard B-86. Wall plates are 19 gauge zinc plated steel. Roller is .015 (28 gauge) stamped brass. All rollers are spring actuated.

INSTALLATION: Mount wall plates at 6 5/8" C-C on wall surface in vertical position with 4- #8 x 1 1/4" roundhead zinc plated steel screws provided. Slip paper holder posts over wall plates and tighten set screws until secure.

Wood blocking is preferable behind all wall surfaces. If wood blocking is not available, the following optional fasteners are suggested:

Tile/Masonry - Plastic or lead anchors

Plaster/Drywall - Moly or Toggle bolts

SPECIFICATION: Surface mounted paper holder shall be made _____ (fill in model number) by Liberty Hardware Manufacturing Corporation.