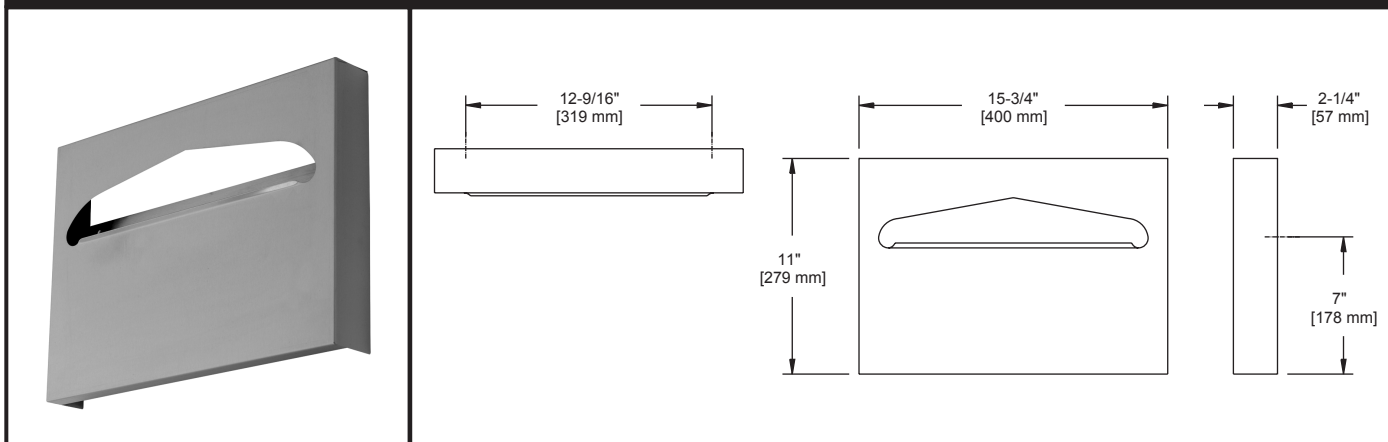


# TECHNICAL DATA

## Public Washroom

## 1987



**MATERIALS:** Cabinet is fabricated 22 gauge type 304 satin stainless steel.  
All welded construction.

**INSTALLATION:** Mount toilet seat cover cabinet on wall surface through 2 countersunk holes in back panel (12-9/16" C-C horizontally; 7" from bottom of unit) with 2 - #8 x 1-1/4" flat head zinc plated steel screws provided.

**OPTIONAL FASTENER INFORMATION:**  
Wood blocking is preferable behind all wall surfaces. If wood blocking is not available, the following fasteners are suggested: Tile/Masonry - Plastic or Lead Anchors, Plaster/Drywall - Toggle Bolts.

**SPECIFICATION:** Surface mounted toilet seat cover cabinet shall be model \_\_\_\_\_  
(fill in model number) by Liberty Hardware Manufacturing Corporation.

**FranklinBrass**<sup>®</sup>  
A Liberty Hardware Brand