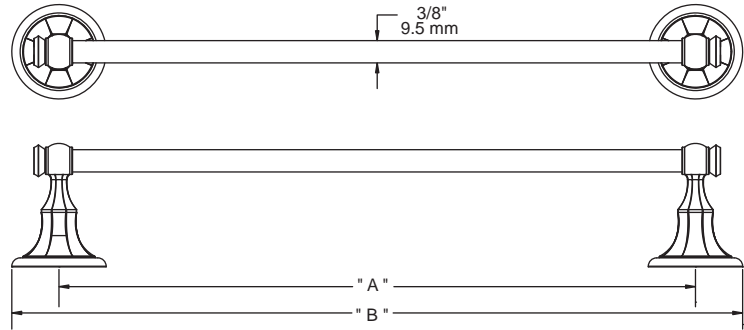
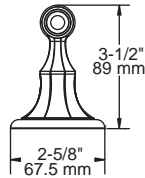


TECHNICAL DATA

Essence[™]

18 in. & 24 in. TOWEL BAR



MATERIALS: Posts - Zinc Die Cast
 Bars - Steel, 5/8" O.D.
 Wall Plate - Steel, Zinc Plated

INSTALLATION: Mount wall plate bracket(s) per installation instructions with supplied fasteners. Slip product over wall plate(s) and slide down to secure.

OPTIONAL FASTENER INFORMATION:
 Wood blocking is preferable behind all wall surfaces. If wood blocking is not available, the following fasteners are suggested:
 Tile/Masonry - Plastic or Lead Anchors, Plaster/Drywall - Toggle Bolts.

SPECIFICATION: Surface mounted towel bar shall be model _____
 (fill in model number) by Liberty Hardware Manufacturing Corporation.

LENGTH	18" (457 mm)	24" (610 mm)
DIM "A"	18" (457 mm)	24" (610 mm)
DIM "B"	20-5/8" (524 mm)	26-5/8" (678 mm)